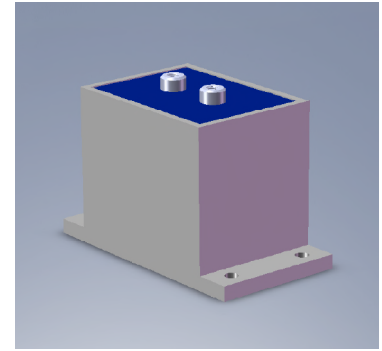
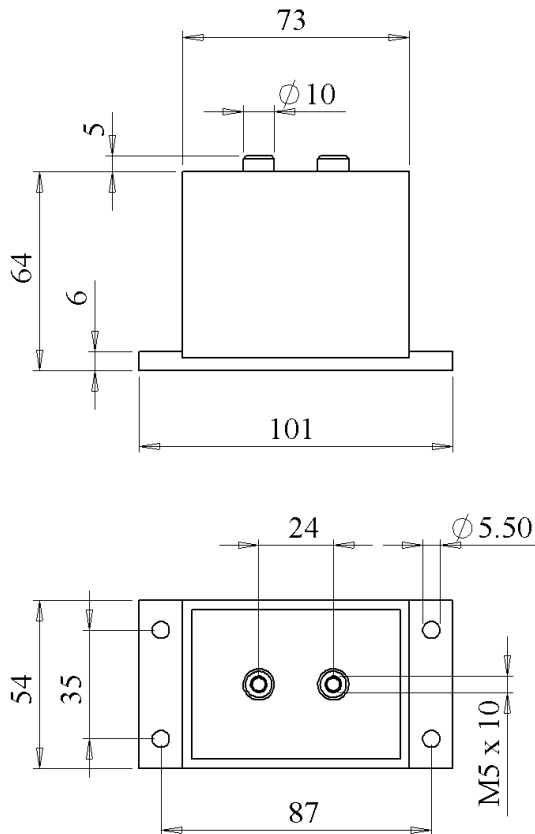


#5933

METALLIZED POLYPROPYLENE CAPACITORS

PPM 65-70.0 ru K

Dielectric
polypropylene metallized

Plastic case

polyurethan resin filled

Parameter	Symbol		Value	Unit	Condition
Capacitance	C		70	μF	1 V / 1 kHz
Tolerance			± 10	%	
Rated voltage	$U_n \text{ DC}$		650	VDC	
Overvoltage	U_{peak}	1 s.	850	V	15 x
Current	I_{RMS}		15	A	15 kHz
slope of voltage variation	$du/dt \text{ max.}$		20	V/ μsec	
Repetitive surge current	$I_{\text{cr. max}}$		1400	A	
Tangente delta	$\text{tg}\delta$		25	10^{-4}	1 V / 1 kHz
Equivalent Serie Resistance	ESR		< 5.0	$\text{m}\Omega$	1 V / 10 kHz
Stray inductance	ESL		≤ 90	nH	
Test voltage between terminals	U_T		1'040	VDC	1 min
Operating temperature			- 55 / + 110 °C		
Dimension	Symbol			Unit	Conditions
Width	B		54	mm	
Height	H		64	mm	
Length	L		73	mm	
Terminals					
Thread			M 5 x 10	mm	
Thread spacing	RM		24	mm	
	M1				
	M0	28.06.2010	HJJ		
	Modification	Date	Visa émetteur		

Condensateurs CH 1400 Yverdon, Switzerland
 Kondensatoren Tel.: ++41 24 445 66 88
 Capacitors Fax: ++41 24 445 66 89

Lecan
Capacitors
A FRECHET & ZELSCHE COMPANY

HJJ

www.Lcap.ch
 27.05.2010

capinfo@Lcap.ch
 faisab5933.XLS