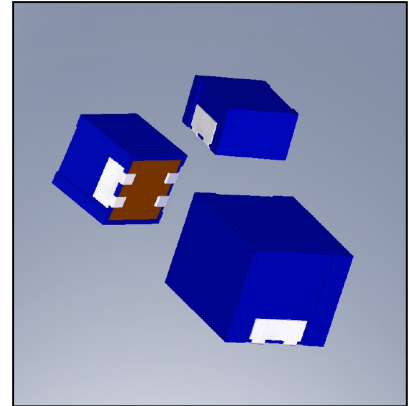
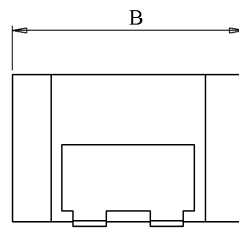
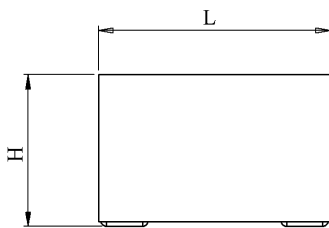
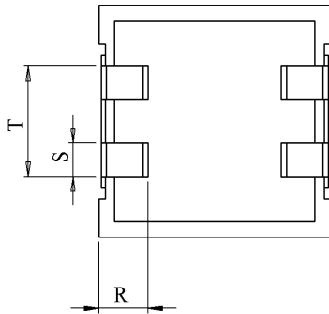


#5788

Power Electronics Capacitors

MKT 6.3-15.0 SMD K

PRELIMINARY



Surface mount device - Self-extinguishing plastic housing
Dielectric metallized polyester - Epoxy resin sealing UL 94-V0

Parameter	Symbol		Value	Unit	Condition
Capacitance	C		15	μF	1 V / 1 kHz
Tolerance			± 10	%	
Rated voltage	Un DC		63	VDC	
Rated voltage	Un AC		24	Veff	50 Hz
RMS current	I RMS max.		8.3	Aeff	300 kHz / 100 °C
Tangent delta	tg δ		≤ 70	10^{-4}	1 kHz
Equivalent serie resistance	ESR		≤ 13	m Ω	300 kHz
Stray inductance	ESL		≤ 5	nH	
Insulation resistance	Ri		> 83	M Ω	63 VDC - 1 min
Test voltage between terminals	U T1		101	VDC	10 s
Climatic category			55/125/21		
Dimension	Symbol			Unit	Conditions
Width	B max		15.5	mm	
Height	H max		14	mm	
Length	L max		16.5	mm	
Terminals					
	R		2.25 ± 0.25	mm	
	S		2 ± 0.2	mm	
	T		7.0 ± 0.2	mm	
	M1				
	M0				
	Modification	Date	Visa émetteur		

Condensateurs
Kondensatoren
Capacitors

CH 1400 Yverdon-les-Bains
Tel.: ++41 24 445 66 88
Fax: ++41 24 445 66 89

Le lanché
Capacitors
A FISCHER & INHUSCHKE COMPANY

HJJ

27.02.2009

faisab5788.XLS