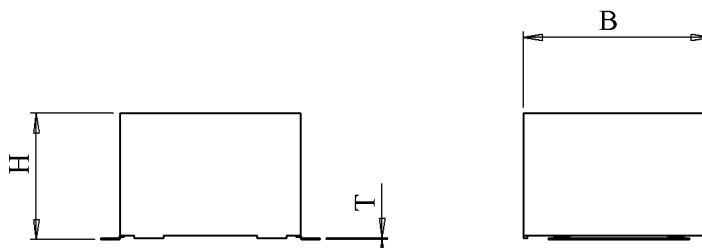
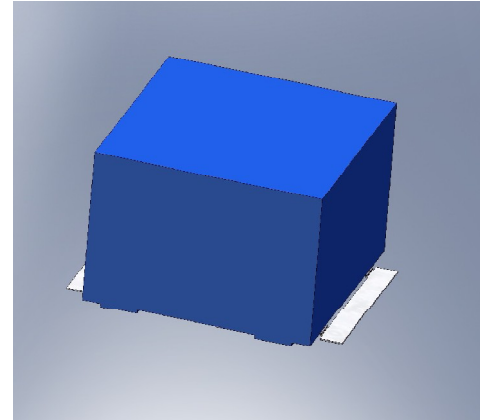
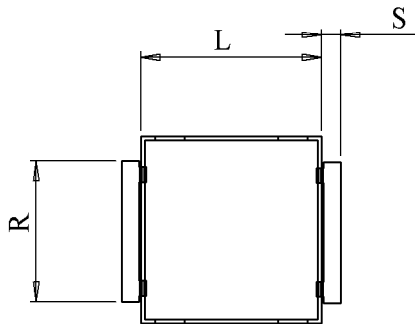


#5839

Power Electronics Capacitors

MKT 5-100.0 SMF K

PRELIMINARY



Surface mount device - Self-extinguishing plastic housing
Dielectric metallized polyester - Epoxy resin sealing UL 94-V0

Parameter	Symbol		Value	Unit	Condition
Capacitance	C		100	μF	1 V / 1 kHz
Tolerance			± 10	%	
Rated voltage	Un DC		50	VDC	
RMS current	I RMS max.		15	Aeff	300 kHz / 105 °C
Tangent delta	tg δ		≤ 90	10^{-4}	1 kHz
Equivalent serie resistance	ESR		≤ 3.0	m Ω	300 kHz
Stray inductance	ESL		≤ 9	nH	
Insulation resistance	Ri		> 25	M Ω	100 VDC - 1 min
Test voltage between terminals	U T1		80	VDC	10 s
Climatic category			55/125/21		
Dimension	Symbol			Unit	Conditions
Width	B max		32.5	mm	
Height	H max		22	mm	
Length	L max		31.5	mm	
Terminals					
	R		24 ± 0.5	mm	
	S		3.0 ± 0.25	mm	
	T max		0.3	mm	
	M1				
	M0				
	Modification	Date	Visa émetteur		

Condensateurs CH 1400 Yverdon-les-Bains
Kondensatoren Tel.: ++41 24 445 66 88
Capacitors Fax: ++41 24 445 66 89

Le lanché
Capacitors
A FISCHER & FRANZOSI COMPANY

HJJ

27.08.2009

faisab5839.XLS