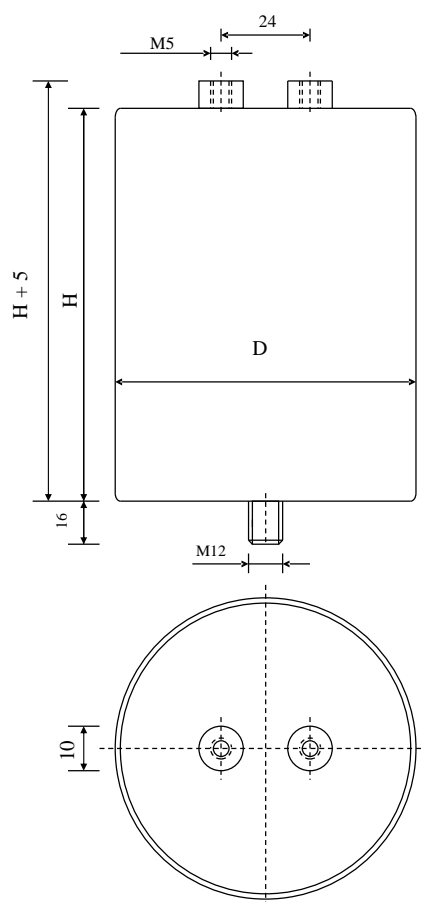


#6308

METALLIZED POLYPROPYLENE CAPACITORS

PAM 50-330.0 cv6 K



Dielectric of metallized polypropylene

Threaded outputs

Resin end sealing

Aluminium case

Parameter	Symbol	Value	Unit	Condition
Capacitance	C	330	μF	1 V / 1 kHz
Tolerance		± 10	%	
Rated voltage	Un AC	500	VAC	50 Hz / short time
Rated voltage	Un DC	± 700	VDC	
RMS Current	I _{eff max.}	30	A _{eff}	10 kHz
Repetitive surge current	I _{cr. max}	2000	A	
Tangent delta	tg δ	≤ 15	10^{-4}	1 V / 100 Hz
Equivalent serie resistance	ESR	6	m Ω	1 V / 1 kHz
Stray inductance	ESL	≤ 150	nH	
Insulation resistance	R _i x C	$\geq 30'000$	s	300 VDC - 1 min
Test voltage between terminals	U T1	1000	VDC	10 s
Test voltage terminals to case	U T2	2500	VAC	50 Hz / 1 min
Climatic category		25/70/56		

Dimension	Symbol	Value	Unit	Conditions
Diameter	D	90	mm	
Height	H	170	mm	
Terminals				
Thread		M5 x 10	mm	
Thread spacing	e	24	mm	
Fixing stud		M12 x 16	mm	

M1

M0

Modification

Date

Visa émetteur

Condensateurs CH 1400 Yverdon-les-Bains
 Kondensatoren Tel.: ++41 24 447 22 82
 Capacitors Fax: ++41 24 447 22 85

Leclanché
Capacitors
A FISCHER & TISSOT COMPANY

HJJ

www.Lcap.ch
 16.06.2014

capinfo@Lcap.ch
 faisab6308.XLS