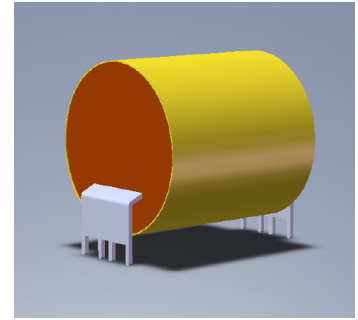
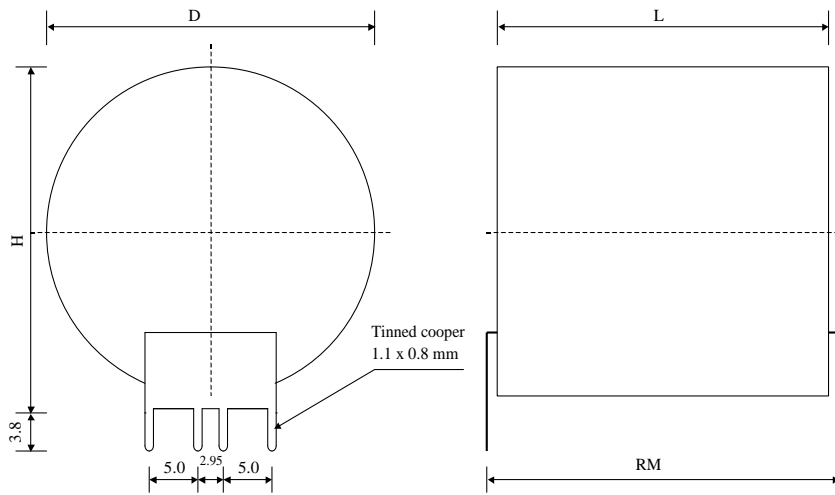


#5937

HIGH VOLTAGE METALLIZED CAPACITORS

PPMHT 400-033 CI K



Dielectric of metallized polypropylene

Polyester wrapped flammability UL 510 / Epoxy resin sealing UL 94-V0

Terminals for connection to Printed Circuit Board

Parameter	Symbol	Value	Unit	Condition
Capacitance	C	0.33	μF	1 V / 1 kHz
Tolerance		± 10	%	
Rated voltage	Un DC	4000	VDC	
Rated voltage	Un AC	750	Veff	50 Hz to 400 Hz
RMS current permanent	Ieff max	5.03	Aeff	10 kHz
slope of voltage variation	du/dt max.	275	V/ μsec	
Tangent delta	tg δ	< 5	10^{-4}	1 V / 1 kHz
Tangent delta	tg δ	< 6.5	10^{-4}	1 V / 10 kHz
Stray inductance	ESL	≤ 18	nH	
Insulation resistance	Ri	> 90'000	M Ω	500 VDC - 1 min
Test voltage between terminals	U T1	6400	VDC	1 min.
Operating temp.		- 40 / + 85°C		
Estimated operational life (-3%)		> 100'000	h	Un DC / 70°C
Dimension	Symbol	Value	Unit	Conditions
Diameter	D max	28.4	mm	
Length	L max	48	mm	
Height	H max	29.4	mm	
Terminals				
Tinned cooper	(4 x)	1.1 x 0.8	mm	
RM		52 \pm 0.5	mm	
Mass approx.	m	36	g	
	M1			
	M0			
	Modification	Date	Visa émetteur	

Condensateurs CH 1400 Yverdon, Switzerland
 Kondensatoren Tel.: ++41 24 445 66 88
 Capacitors Fax: ++41 24 445 66 89

Leclanché
Capacitors
A FISCHER & TAUSSCHKE COMPANY

HJJ

www.Lcap.ch
 07.06.2010

capinfo@Lcap.ch
 faisab5937.XLS