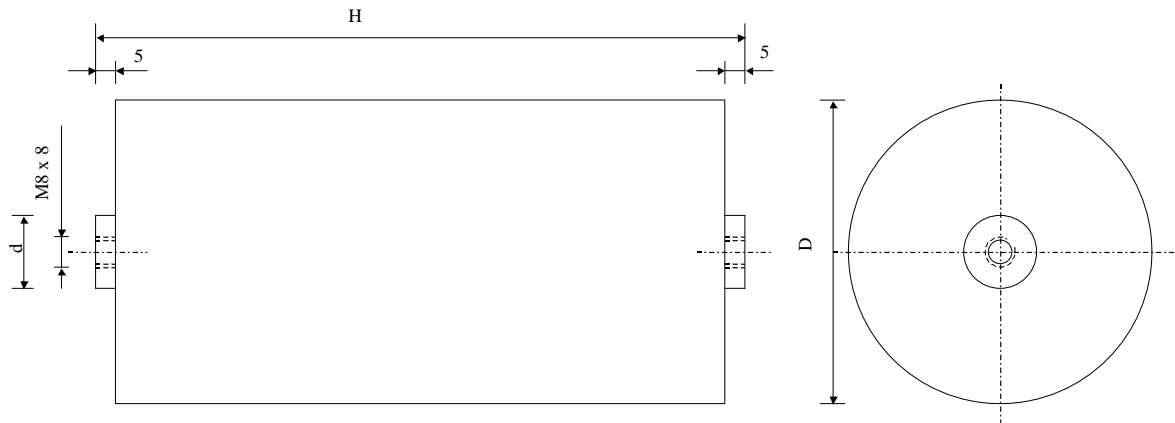


#6109

## Discharge CAPACITORS

PPMF 5000-165 uv K



Dielectric of metallized polypropylene - Plastic tube

Polyurethane resin end sealing - Threaded outputs

Parameter	Symbol	Value	Unit	Condition
Capacitance	C	0.065	$\mu\text{F}$	1 V / 1 kHz
Tolerance		$\pm 10$	%	
Rated voltage	$U_n \text{ DC}$	50'000	VDC	
Maximum Reverse Voltage	$U_{\text{inv.}}$	90	%	
Maximum Peak current	$I_p$	3.2	kA	
Maximum Repetition frequency	$F_r$	40	Hz	
Maximum RMS Current	$I_{\text{eff}}$	55	A	
Tangent delta	$\text{tg}\delta$	$\leq 5$	$10^{-4}$	1 V / 1 kHz
Equivalent serie resistance	ESR	$\leq 20$	$\text{m}\Omega$	100 kHz
Stray inductance	ESL	$\leq 400$	nH	
Insulation resistance	$R_i$	$> 100'000$	$\text{M}\Omega$	500 VDC - 1 min
Test voltage between terminals	$U_{T1}$	70'000	VDC	1 min.
Dimension	Symbol	Value	Unit	Conditions
Diameter	$\varnothing D$	110	mm	
Height	H	$975 \pm 1.0$	mm	
Terminals				
Thread		M8 x 8	mm	
	$\varnothing d$	22		
	M1			
	M0			
	Modification	Date	Visa émetteur	

Condensateurs CH 1400 Yverdon, Switzerland

Kondensatoren Tel.: ++41 24 445 66 88

Capacitors Fax: ++41 24 445 66 89

**Ledanché**  
Capacitors  
A FISCHER & TALSCHER COMPANY

HJJ

www.Lcap.ch

11.06.2012

capinfo@Lcap.ch

faisab6109.XLS