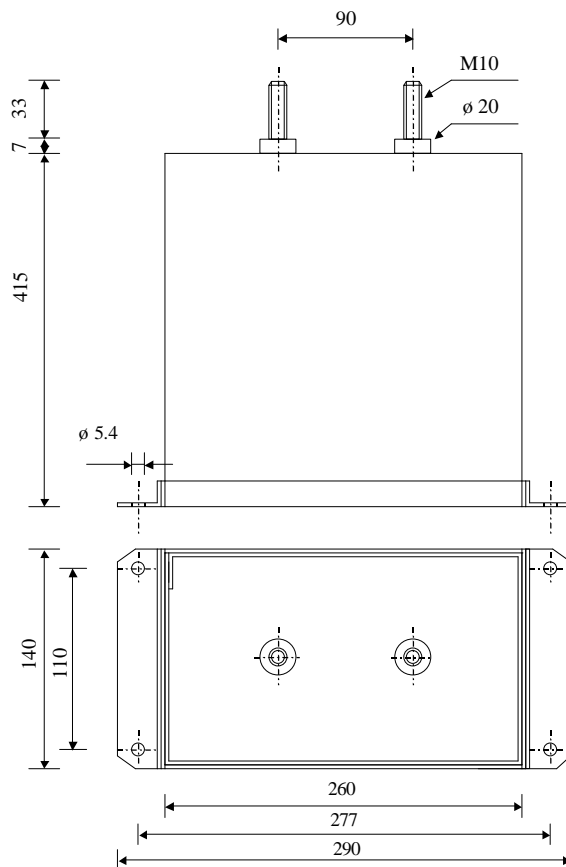


#5891

Discharge Capacitors

PPMF 300-1100.0 r K



Dielectric of metallized polypropylene

Threaded outputs

Resin end sealing

Aluminium case
thick 1.2 mm

Parameter	Symbol	Value	Unit	Condition
Capacitance	C	1100	μF	1 V / 100 Hz
Tolerance		± 10	%	
Rated voltage	Un DC	3'000	VDC	
Surge current	I cr. max	10'000	A	
Equivalent serie resistance	ESR	≤ 2.8	$\text{m}\Omega$	1 kHz
Stray inductance	ESL	≤ 70	nH	
Insulation resistance	Ri x C	$> 10'000$	s	100 VDC - 1 min
Test voltage between terminals	U T1	4'300	VDC	10 s
Test voltage between terminals to case	U T2	3'000	VAC	50 Hz - 1 min
Operating temp.		- 25 / + 55 °C		
Estimated operational life 30°C		$> 5 \times 10^6$	Pulses	3000 V p-p max. 10 kA
Dimension	Symbol	Value	Unit	Conditions
Width	B	140	mm	
Length	L	260	mm	
Height	H	415	mm	
Thread		M10 x 33	mm	
Thread spacing		90	mm	
	M1			
	M0			
	Modification	Date	Visa émetteur	

Condensateurs CH 1400 Yverdon-les-Bains
 Kondensatoren Tel.: ++41 24 445 66 88
 Capacitors Fax: ++41 24 445 66 89

Le lanché
Capacitors
A FISCHER & TASESCHE COMPANY

HJJ

18.12.2009

faisab5891.XLS