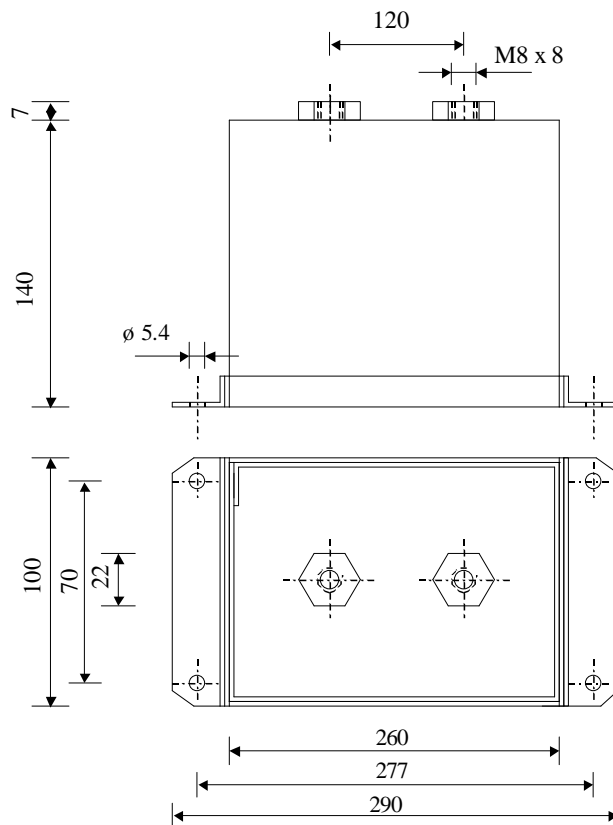


#5748

## Discharge Capacitors

PPMF 165-2330.0 r K



Dielectric of metallized polypropylene

Threaded outputs

Resin end sealing

Aluminium case  
thick 1.2 mm

Parameter	Symbol	Value	Unit	Condition
Capacitance	C	2330	$\mu\text{F}$	1 V / 1 kHz
Tolerance		$\pm 10$	%	
Rated voltage	Un DC	1'650	VDC	
Surge current	I cr. max	20'000	A	
Equivalent serie resistance	ESR	$\leq 4$	$\text{m}\Omega$	10 kHz
Stray inductance	ESL	$\leq 200$	nH	
Insulation resistance	Ri x C	$> 20'000$	s	500 VDC - 1 min
Test voltage between terminals	U T1	1'800	VDC	10 s
Test voltage between terminals to case	U T2	2'500	VAC	50 Hz - 1 min
Operating temp.		- 25 / + 70 °C		
Estimated operational life (-3%)		$> 2$	Pulses	1650 V / 20'000 A
Dimension	Symbol		Unit	Conditions
Width	B	100	mm	
Length	L	260	mm	
Height	H	140	mm	
Thread		M8 x 8	mm	
Thread spacing		120	mm	
	M1			
	M0			
	Modification	Date	Visa émetteur	

Condensateurs  
Kondensatoren  
CapacitorsCH 1401 Yverdon-les-Bains  
Tel.: ++41 24 445 66 88  
Fax: ++41 24 445 66 89

**Le lanché**  
**Capacitors**  
A FISCHER & TALENOR COMPANY

HJJ

02.09.2008

faisab5748.XLS