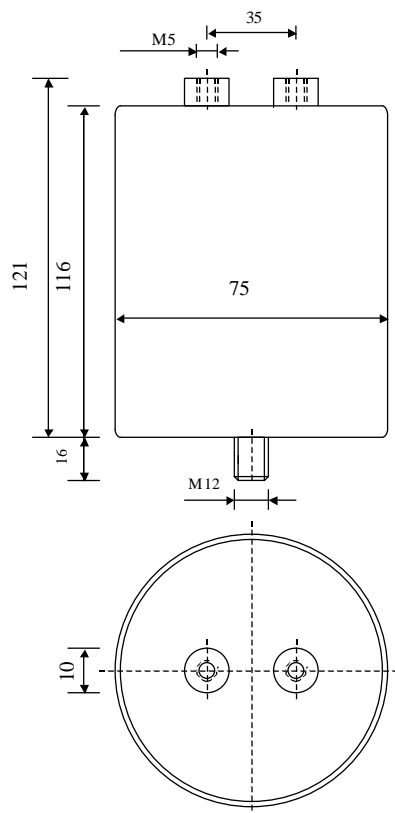


#5762

METALLIZED POLYPROPYLENE CAPACITORS

PPM 70-200.0 cv6 K



Preliminary
data Sheet

Dielectric of metallized
polypropylene

Threaded outputs

Resin end sealing

Aluminium case

Parameter	Symbol	Value	Unit	Condition
Capacitance	C	200	μF	1 V / 1 kHz
Tolerance		± 10	%	
Rated voltage	Un DC	700	VDC	
Surge voltage	Us	1340	V cr.	
RMS Current	I _{eff max.}		A _{eff}	
Repetitive surge current	I cr. max		A	
Tangent delta	tg δ	\leq	10^{-4}	1 V / 1 kHz
Equivalent serie resistance	ESR	25°C to 70°C	m Ω	1 V / 10 kHz
Stray inductance	ESL	≤ 50	nH	
Insulation resistance	Ri x C	$\geq 30'000$	s	300 VDC - 1 min
Test voltage between terminals	U T1		VDC	10 s
Test voltage terminals to case	U T2	2800	VAC	50 Hz / 1 min
Climatic category		27/70/56		
Estimated operational life (-5 %)			h	
Dimension	Symbol		Unit	Conditions
Diameter	D	75	mm	
Height	H	116	mm	
Terminals				
Thread		M5 x 10	mm	
Thread spacing	e	35	mm	
Fixing stud		M12 x 16	mm	
Mass approx.	m		kg	
	M1			
	M0			
	Modification	Date	Visa émetteur	

Condensateurs CH 1400 Yverdon-les-Bains
Kondensatoren Tel.: ++41 24 447 22 82
Capacitors Fax: ++41 24 447 22 85

Le Janché
Capacitors
A FISCHER & PAUSCHER COMPANY

HJJ

17.11.2008

faisab5762.XLS