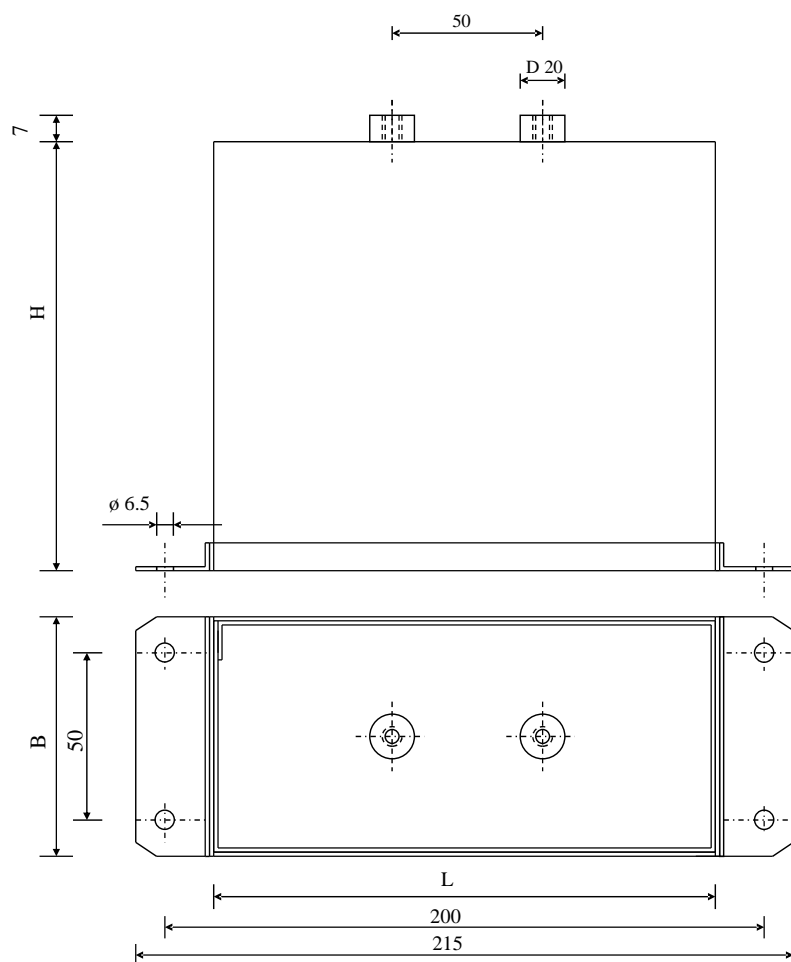


#6295

Metallized polypropylene capacitors

PPM 70-1200.0 r K



Dielectric of metallized polypropylene

Threaded outputs

Resin end sealing

Aluminium case thick 1.5 mm

Parameter	Symbol	Value	Unit	Condition
Capacitance	C	1200	$\mu\text{F}$	1 V / 100 Hz
Tolerance		$\pm 10$	%	
Rated voltage	Un DC	700	VDC	
current	I cr. max	10800	A	
Maximum current	I RMS	165	A	1 kHz to 10 kHz
Equivalent serie resistance	ESR	$\leq 0.42$	$\text{m}\Omega$	1 kHz
Stray inductance	ESL	$\leq 30$	nH	
Insulation resistance	Ri x C	$> 10000$	s	500 VDC - 1 min
Thermal resistance	Rth	2.0	$^{\circ}\text{C}/\text{W}$	hot-spot / ambiance
Test voltage between terminals	U T1	1120	VDC	10 s
Test voltage between terminals to case	U T2	3500	VAC	50 Hz - 1 min
Operating temp.		- 25 / + 70 $^{\circ}\text{C}$		
Estimated operational life (-5 %)		$> 100000$	h	700 V / 70 $^{\circ}\text{C}$

Dimension	Symbol	Value	Unit	Conditions
Width		75	mm	
Lenght		165	mm	
Height		170	mm	
Thread		M8 x 8	mm	

M1			
M0			
Modification	Date	Visa émetteur	

Condensateurs CH 1400 Yverdon, Switzerland  
 Kondensatoren Tel.: ++41 24 445 66 88  
 Capacitors Fax: ++41 24 445 66 89

**Leclanché**  
**Capacitors**  
A FISCHER & TAUSSCH COMPANY

HJJ

www.Lcap.ch  
 28.04.2014

capinfo@Lcap.ch  
 faisab6295.XLS