

**Application:** DC/AC capacitor for general use in power electronics  
also for nonsinusoidal voltages and currents

**Order code:** PPM 55-200.0 uv (J)

**Standards:** acc. to IEC 61071:2007

**Approval mark:**  UL810  
CSA C22.2 No. 190-M1985

**Characteristics**

|                               |                           |                      |
|-------------------------------|---------------------------|----------------------|
| Rated capacitance             | <b>C<sub>N</sub></b>      | 200 µF ±5%           |
| Rated d.c. voltage            | <b>U<sub>NDC</sub></b>    | 550 V d.c.           |
| Rated a.c. voltage            | <b>U<sub>NAC</sub></b>    | 280 V a.c.           |
| Max. rms voltage (sinusoidal) | <b>U<sub>rms</sub></b>    | 200 V                |
| Non-recurrent surge voltage   | <b>u<sub>s</sub></b>      | 825 V                |
| Rated energy                  | <b>E<sub>N</sub></b>      | 30.3 Ws              |
| Maximum current               | <b>I<sub>max</sub></b>    | 80 A                 |
| Maximum peak current          | <b>î</b>                  | 3.3 kA               |
| Maximum surge current         | <b>I<sub>s</sub></b>      | 9.9 kA               |
| Series resistance             | <b>R<sub>s</sub></b>      | 0.2 mΩ               |
| Dielectric dissipation factor | <b>tanδ<sub>o</sub></b>   | 2 x 10 <sup>-4</sup> |
| Self discharge time const.    | <b>C x R<sub>is</sub></b> | 5000 s               |
| Self-inductance               | <b>Le</b>                 | 15 nH                |

**Thermal conditions**

|                               |                            |              |
|-------------------------------|----------------------------|--------------|
| Lowest operating temperature  | <b>Θ<sub>min</sub></b>     | -25 °C       |
| Maximum operating temperature | <b>Θ<sub>max</sub></b>     | 85 °C        |
| Storage temperature           | <b>Θ<sub>storage</sub></b> | -40...+85 °C |
| Thermal resistance            | <b>R<sub>th</sub></b>      | 4.7 K/W      |
| Humidity class                |                            | G            |

**Statistical lifetime**

**Failure rate** > 200000 h  
at Θ<sub>hotspot</sub> < 100 FIT\*  
≤ 70 °C

\* See FIT-RATE diagram on p.3

**Routine test data**

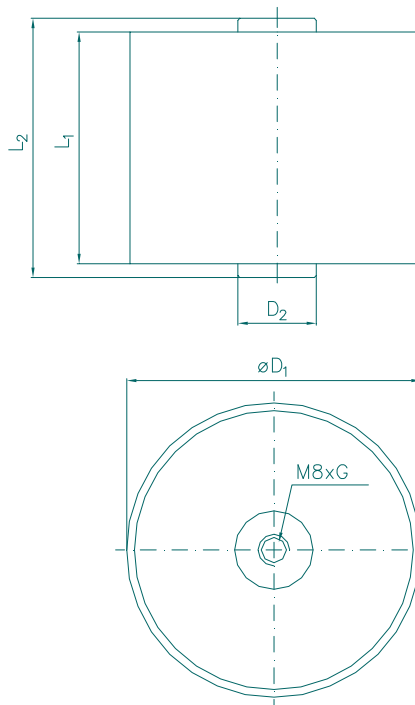
Voltage test between terminals **U<sub>TT</sub>** 825 V DC/10s

**Dimensions**

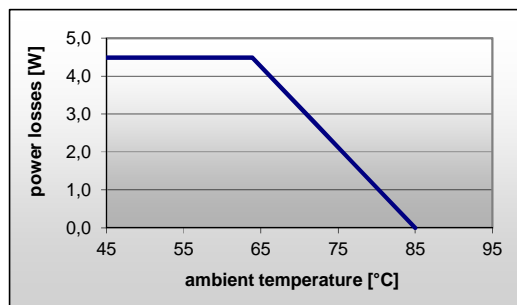
|                       |                      |            |
|-----------------------|----------------------|------------|
| Rated diameter        | <b>D<sub>1</sub></b> | 95 (±1) mm |
| Length of the case    | <b>L<sub>1</sub></b> | 59 (±1) mm |
| Total Length          | <b>L<sub>2</sub></b> | 66 (±1) mm |
| Terminal              | <b>G</b>             | M8 x 10 mm |
| Diameter of terminals | <b>D<sub>2</sub></b> | 20 mm      |
| Clearance in air      | <b>L</b>             | 134 mm     |
| Creepage distance     | <b>K</b>             | 134 mm     |

**Approx. weight** 0.55 kg

**Outline drawing**



**Permitted power losses during continuous operation**



**Mechanical characteristics**

|              |  |
|--------------|--|
| Dielectric   | metallized polypropylene capacitor, selfhealing                  |
| Construction | plastic case with resin moulded winding, UL94: V0                |
| Protection   | without internal fuse  |
| Terminals    | screw base, inside thread  |
| Impregnant   | no liquid impregnants, filled with solidified PUR resin, non PCB |
| Fire load    | 22MJ   |