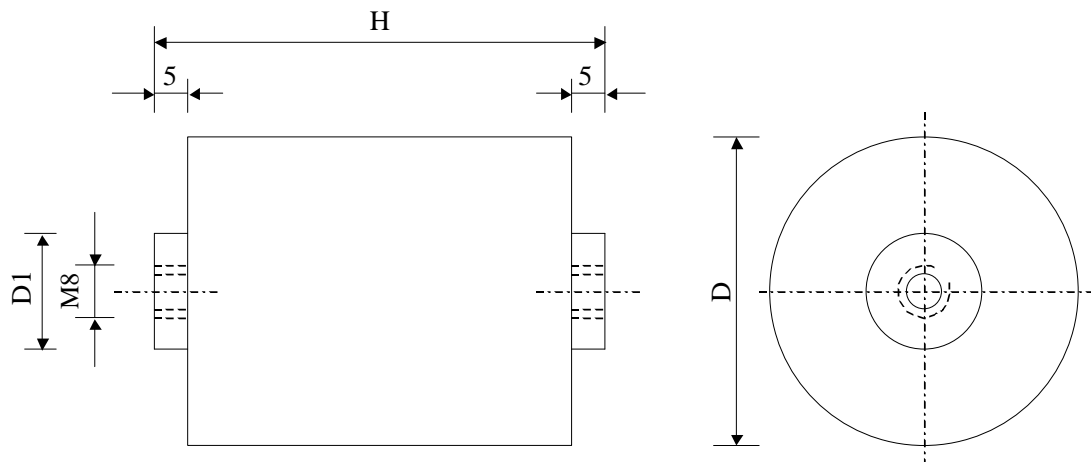


#5579

Protection capacitors

PPM 300-6.0 uv J



Dielectric of metallized polypropylene - Plastic tube

Polyurethane resin end sealing - Threaded outputs

Parameter	Symbol		Value	Unit	Condition
Capacitance	C		6	μF	1 V / 1 kHz
Tolerance			± 5	%	
Rated voltage	$U_n \text{ DC}$		3000	VDC	
Peak voltage	U_{peak}		4000	V	
Surge voltage	U_s		4600	V	
Rated voltage	$U_n \text{ RMS}$		1400	V_{eff}	
RMS Current max	I_{eff}		75	A	
Impulse current	I_t		250	A^2s	non. repetitive
Tangente delta dielectric	$\text{tg}\delta_o$		2	10^{-4}	1 to 100 kHz
Series resistance	RS		≤ 2.1	$\text{m}\Omega$	
Stray inductance	ESL		20	nH	
Thermal resistance	R_{th}		1.7	$^{\circ}\text{C}/\text{W}$	Hot spot - terminals
Insulation resistance	$R_i \times C$		$> 30'000$	s	500 VDC - 1 min
Test voltage between terminals	U_{T1}		4600	VDC	10 s
Test voltage terminals to case	U_{T2}		4000	VAC	50 Hz / 1 min
Climatic category (IEC68)			40/85/56		
Estimated operational life (-3%)			200'000	h	$U_n \text{ DC} - 70^{\circ}\text{C}$

Dimension	Symbol		Unit	Conditions
Diameter	$\varnothing D$		mm	
Height	H		mm	
Terminals				
Thread				
	D1		mm	
			mm	
	M1			
	M0			
	Modification	Date	Visa émetteur	

Condensateurs CH 1401 Yverdon-les-Bains
 Kondensatoren Tel.: ++41 24 445 66 88
 Capacitors Fax: ++41 24 445 66 89

Le Janché
Capacitors
A FISCHER & TAUSSCH COMPANY

HJJ

27.06.2006

faisab5579.XLS