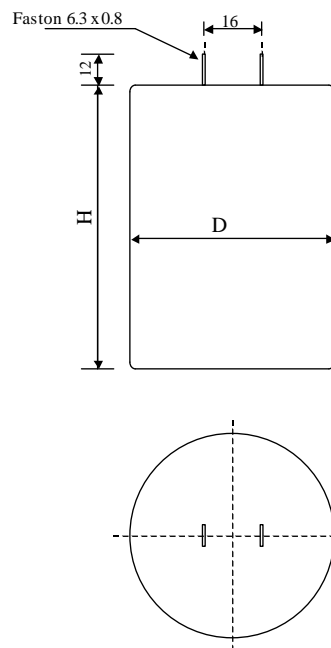


#6115

METALLIZED POLYPROPYLENE CAPACITORS

PPM 25-47.0 c2 K



Dielectric of metallized polypropylene

FAST-ON 6.3 x 0.8 mm

Epoxy resin end sealing

Aluminium case

Parameter	Symbol	Value	Unit	Condition
Capacitance	C	47	μF	1 V / 1 kHz
Tolerance		± 10	%	
Rated voltage	Un DC	250	VDC	
Rated voltage	Un AC	180	VAC	50Hz to 100 Hz
slope of voltage variation	du/dt max.	21	V/ μsec	max. repetitive
Repetitive surge current	I cr. max	987	A	
RMS Current	I _{eff} max	18	A _{eff}	10 kHz
Tangent delta	tg δ	≤ 18	10^{-4}	1 V / 1 kHz
Equivalent serie resistance	ESR	7	m Ω	1 V / 10 kHz
Stray inductance	ESL	≤ 100	nH	
Insulation resistance	Ri	> 425	M Ω	100 VDC - 1 min
Test voltage between terminals	U T1	270	VAC	50 Hz / 1 min
Test voltage terminals to case	U T2	1500	VAC	50 Hz / 1 min
Operating Temperature		-25 to + 8	$^{\circ}\text{C}$	
Estimated operational life (-3%)		$> 10'000$	h	180 VAC / 85 $^{\circ}\text{C}$

Dimension	Symbol	Value	Unit	Conditions
Diameter	D	45	mm	
Height	H	94	mm	
Terminals				
fast-on		6.3 x 0.8	mm	
	M1			
	M0			
	Modification	Date	Visa émetteur	

Condensateurs CH 1400 Yverdon, Switzerland
 Kondensatoren Tel.: ++41 24 445 66 88
 Capacitors Fax: ++41 24 445 66 89

Leclanché
Capacitors
A FISCHER & TAUSSIG COMPANY

HJJ

www.Lcap.ch
 26.06.2012

capinfo@Lcap.ch
 faisab6115.XLS