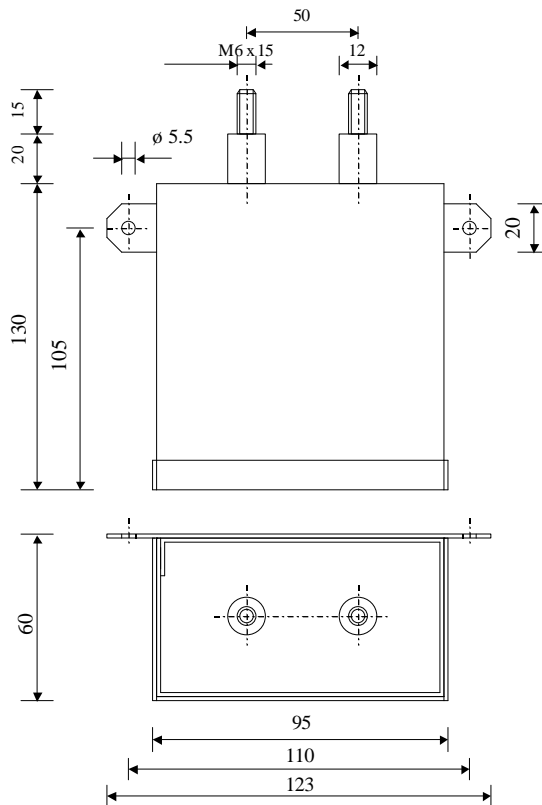


#5885

Metallized polypropylene capacitors

PPM 1100-1.0 r K



Dielectric of metallized polypropylene

Threaded outputs

Resin end sealing

Aluminium case thick 1.2 mm

Parameter	Symbol		Value	Unit	Condition
Capacitance	C		1	μ F	1 V / 1 kHz
Tolerance			± 10	%	
Rated voltage	Un DC		11'000	VDC	
Rated voltage	Un AC		2000	Veff	50 to 60 Hz
RMS Current	Ieff		5	Aeff	20 kHz
slope of voltage variation	du/dt max.		300	V/ μ sec	max. repetitive
Repetitive surge current	I cr. max		300	A	
Tangent delta	tg δ		6	10^{-4}	1 V / 1 kHz
Equivalent serie resistance	ESR		≤ 44	m Ω	10 kHz
Stray inductance	ESL		≤ 150	nH	
Insulation resistance	Ri x C		$> 20'000$	s	500 VDC - 1 min
Test voltage between terminals	U T1		15'000	VDC	10 s
Test voltage between terminals to case	U T2		15'000	VDC	1 min
Operating temp.			- 25 / + 70 °C		
Estimated operational life (-3%)			50'000	h	Un DC / 45 °C
Dimension	Symbol			Unit	Conditions
Width	B		60	mm	
Length	L		95	mm	
Height	H		130	mm	
Thread			M6 x 15	mm	
Thread spacing			50	mm	
	M1				
	M0	15.12.2009	HJJ		
	Modification	Date	Visa émetteur		

Condensateurs CH 1400 Yverdon-les-Bains
 Kondensatoren Tel.: ++41 24 445 66 88
 Capacitors Fax: ++41 24 445 66 89

Le lanché
Capacitors
A FISCHER & TAUCCHE COMPANY

HJJ

08.12.2009

faisab5885.XLS