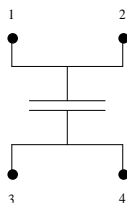
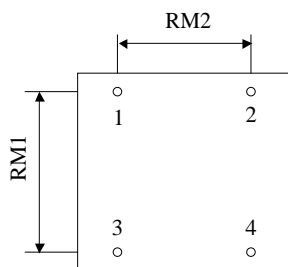


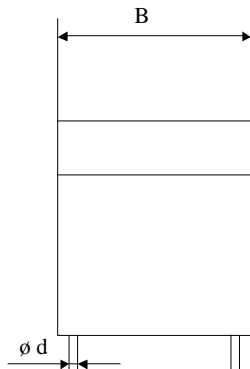
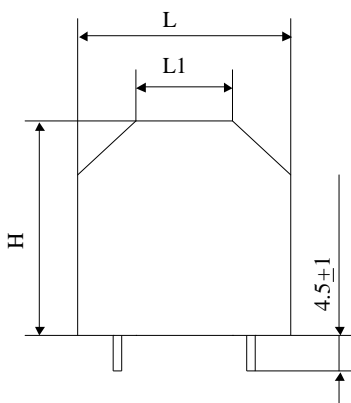
#5618

Power Electronics Capacitors

MKTJC 10-68.0 K



Printed circuit board mounting



Self-extinguishing plastic housing

Dielectric of metallized polyester

Epoxy resin sealing

Parameter	Symbol	Value	Unit	Condition
Capacitance	C	68	µF	1 V / 1 kHz
Tolerance		± 10	%	
Rated voltage	Un DC	100	VDC	
Rated voltage	Un AC	40	Veff	50 to 300 Hz
RMS current	I RMS max.	30	Aeff	100 kHz
slope of voltage variation	du/dt max.	8	V/µsec	max. repetitive
Repetitive surge current	I cr. max	544	A	
Tangente delta	tgδ	≤ 80	10 <sup>-4</sup>	1 kHz
Serie resistance	RS	≤ 4.3	mΩ	1 V / 10 kHz
Stray inductance	ESL	≤ 15	nH	
Insulation resistance	Ri x C	> 10'000	s	300 VDC - 1 min
Test voltage between terminals	U T1	150	VDC	10 s
Climatic category		40/105/56		
Estimated operational life (-3%)		> 100'000	h	Un DC / 70°C
Dimension	Symbol	Value	Unit	Conditions
Width	B	36	mm	
Length	L	40	mm	
	L1	18	mm	
Height	H	40	mm	
Terminals tinned wire	ø d	1.2	mm	
RM1		30	mm	
RM2		25	mm	
	M1			
	M0			
	Modification	Date	Visa émetteur	

Condensateurs CH 1401 Yverdon-les-Bains  
 Kondensatoren Tel.: ++41 24 445 66 88  
 Capacitors Fax: ++41 24 445 66 89

**Le lanché**  
**Capacitors**  
A FROGMAN & TALSCHER COMPANY

HJJ

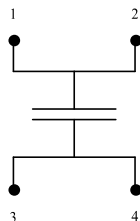
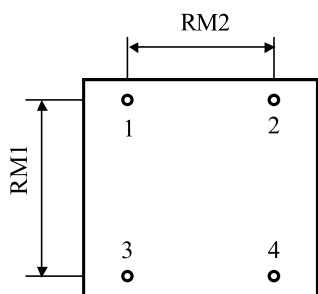
08.12.2006

faisab5618.XLS

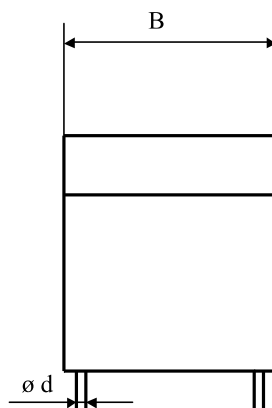
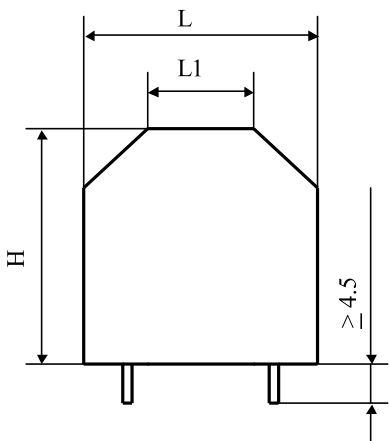
#5767

Power Electronics Capacitors

MKTJC-4 10-100.0 g K



Printed circuit board mounting



Self-extinguishing plastic housing

Dielectric of metallized polyester

Epoxy resin sealing

Parameter	Symbol	Value	Unit	Condition
Capacitance	C	100	$\mu\text{F}$	1 V / 1 kHz
Tolerance		$\pm 10$	%	
Rated voltage	Un DC	100	VDC	
Rated voltage	Un AC	60	Veff	50 to 100 Hz
RMS current	I RMS max.	24	Aeff	10 kHz to 100 kHz
slope of voltage variation	du/dt max.	10	V/ $\mu\text{sec}$	max. repetitive
Repetitive surge current	I cr. max	1000	A	
Tangent delta	tg $\delta$	$\leq 75$	$10^{-4}$	1 kHz
Series resistance	RS	$\leq 0.7$	m $\Omega$	1 V / 10 kHz
Stray inductance	ESL	$\leq 15$	nH	
Insulation resistance	Ri x C	$> 10'000$	s	300 VDC - 1 min
Test voltage between terminals	U T1	150	VDC	10 s
Climatic category		40/105/56		
Estimated operational life (-3%)		$> 50'000$	h	Un DC / 70°C

Dimension	Symbol	Value	Unit	Conditions
Width	B	36	mm	
Length	L	40	mm	
	L1	18	mm	
Height	H	40	mm	
Terminals tinned wire	$\phi d$	1.2	mm	
RM1		30	mm	
RM2		25	mm	
	M1			
	M0			
	Modification	Date	Visa émetteur	

Condensateurs  
Kondensatoren  
Capacitors

CH 1400 Yverdon-les-Bains  
Tel.: ++41 24 445 66 88  
Fax: ++41 24 445 66 89

**Le Lanché**  
**Capacitors**  
A FISCHER & FABRICE COMPANY

HJJ

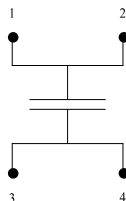
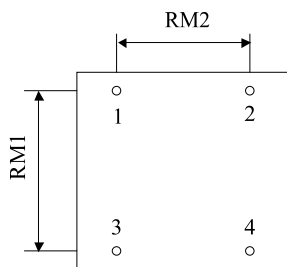
18.11.2008

faisab5767.XLS

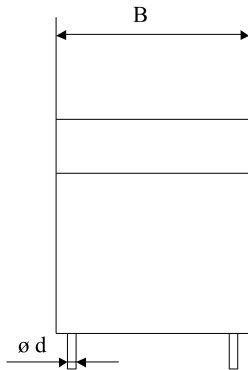
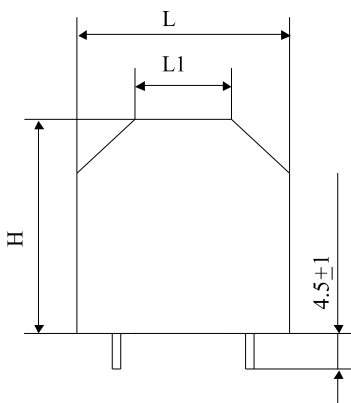
#5563

Power Electronics Capacitors

MKTJC 40-40.0 g K



Printed circuit board mounting



Self-extinguishing plastic housing

Dielectric of metallized polyester

Epoxy resin sealing

Parameter	Symbol	Value	Unit	Condition
Capacitance	C	40	µF	1 V / 1 kHz
Tolerance		± 10	%	
Rated voltage	Un DC	400	VDC	
Rated voltage	Un AC	120	Veff	50 to 100 Hz
RMS current	I RMS max.	23	Aeff	100 kHz
slope of voltage variation	du/dt max.	20	V/µsec	max. repetitive
Repetitive surge current	I cr. max	800	A	
Tangente delta	tgδ	≤ 75	10 <sup>-4</sup>	1 kHz
Serie resistance	RS	≤ 1.8	mΩ	1 V / 10 kHz
Stray inductance	ESL	≤ 15	nH	
Insulation resistance	Ri x C	> 10'000	s	300 VDC - 1 min
Test voltage between terminals	U T1	600	VDC	10 s
Climatic category		40/85/56		
Dimension	Symbol	Value	Unit	Conditions
Width	B	36	mm	
Length	L	40	mm	
	L1	18	mm	
Height	H	40	mm	
Terminals tinned wire	ø d	1.2	mm	
RM1		30	mm	
RM2		25	mm	
	M1			
	M0			
	Modification	Date	Visa émetteur	

Condensateurs  
Kondensatoren  
Capacitors

CH 1401 Yverdon-les-Bains  
Tel.: ++41 24 445 66 88  
Fax: ++41 24 445 66 89

**Le lanché**  
**Capacitors**  
A FISCHER & TADICHE COMPANY

HJJ

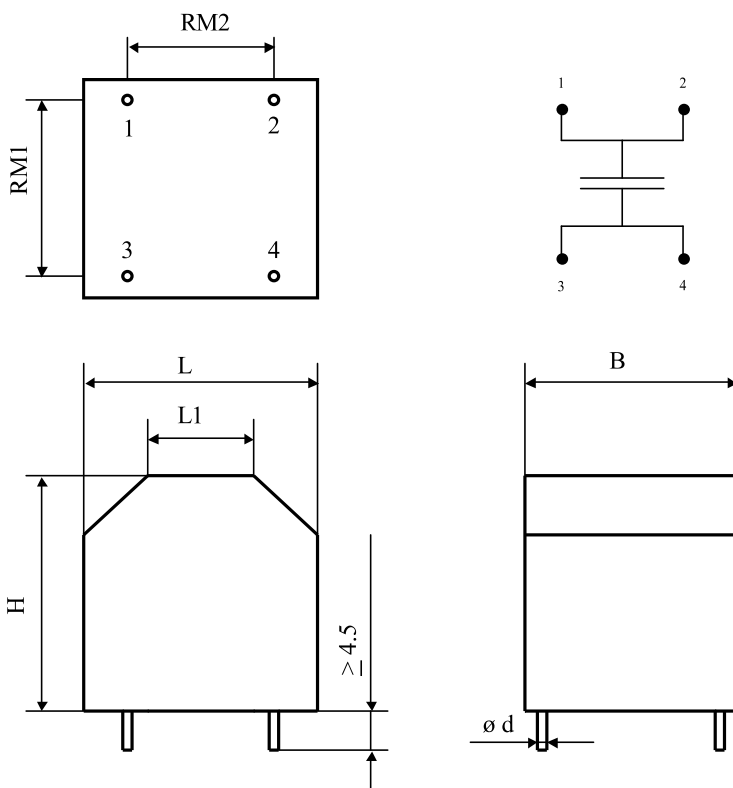
02.05.2006

faisab5563.XLS

#5824

Power Electronics Capacitors

MKTJC-4 25-47.0 g K



Printed circuit board mounting

Self-extinguishing plastic housing

Dielectric of metallized polyester

Epoxy resin sealing

Parameter	Symbol		Value	Unit	Condition
Capacitance	C		47	$\mu\text{F}$	1 V / 1 kHz
Tolerance			$\pm 10$	%	
Rated voltage	Un DC		250	VDC	
Rated voltage	Un AC		70	Veff	50 to 150 Hz
RMS current	I RMS max.		20	Aeff	20 kHz to 100 kHz
slope of voltage variation	du/dt max.		20	V/ $\mu\text{sec}$	max. repetitive
Repetitive surge current	I cr. max		940	A	
Tangent delta	tg $\delta$		$\leq 80$	$10^{-4}$	1 kHz
Equivalent serie resistance	ESR		$\leq 3.6$	m $\Omega$	1 V / 100 kHz
Stray inductance	ESL		$\leq 15$	nH	
Insulation resistance	Ri x C		$> 10'000$	s	100 VDC - 1 min
Test voltage between terminals	U T1		400	VDC	10 s
Operating temperature			$-25^{\circ}\text{C} / + 85^{\circ}\text{C}$		
Estimated operational life (-3%)			$> 100'000$	h	Un DC / 40 $^{\circ}\text{C}$ 18 A RMS / 100 kHz
Dimension	Symbol			Unit	Conditions
Width	B		36	mm	
Length	L		40	mm	
	L1		18	mm	
Height	H		40	mm	
Terminals tinned wire	$\varnothing d$		1.2	mm	
RM1			30	mm	
RM2			25	mm	
	M1				
	M0				
	Modification	Date	Visa émetteur		

Condensateurs  
Kondensatoren  
Capacitors

CH 1400 Yverdon-les-Bains  
Tel.: ++41 24 445 66 88  
Fax: ++41 24 445 66 89

**Le lanché**  
**Capacitors**  
A TROCHER & FALSBICHE COMPANY

HJJ

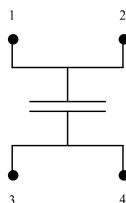
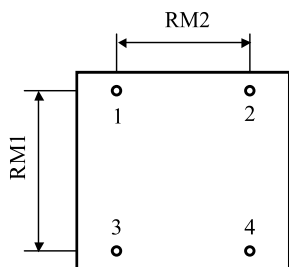
29.05.2009

faisab5824.XLS

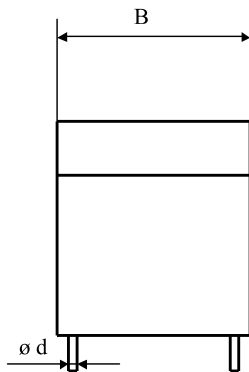
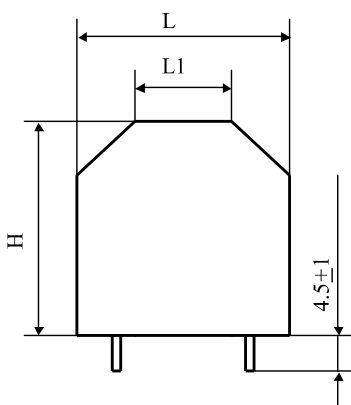
#5652

Power Electronics Capacitors

MKTJC 7.5-160.0 K



Printed circuit board mounting



Self-extinguishing plastic housing

Dielectric of metallized polyester

Epoxy resin sealing

Parameter	Symbol	Value	Unit	Condition
Capacitance	C	160	µF	1 V / 1 kHz
Tolerance		± 10	%	
Rated voltage	Un DC	75	VDC	
Rated voltage	Un AC	40	Veff	50 to 200 Hz
RMS current	I RMS max.	28	Aeff	10 kHz
slope of voltage variation	du/dt max.	7.2	V/µsec	max. repetitive
Repetitive surge current	I cr. max	1150	A	
Tangent delta	tgδ	< 85	10 <sup>-4</sup>	1 kHz
Series resistance	RS	≤ 0.7	mΩ	1 V / 10 kHz
Stray inductance	ESL	≤ 15	nH	
Insulation resistance	Ri x C	> 10'000	s	300 VDC - 1 min
Test voltage between terminals	U T1	113	VDC	10 s
Climatic category		40/105/56		
Estimated operational life (-3%)		> 100'000	h	Un DC / 70°C

Dimension	Symbol	Value	Unit	Conditions
Width	B	36	mm	
Length	L	40	mm	
	L1	18	mm	
Height	H	40	mm	
Terminals tinned wire	ø d	1.2	mm	
RM1		30	mm	
RM2		25	mm	
	M1			
	M0			
	Modification	Date	Visa émetteur	

Condensateurs CH 1400 Yverdon-les-Bains  
 Kondensatoren Tel.: ++41 24 445 66 88  
 Capacitors Fax: ++41 24 445 66 89

**Le lanché**  
**Capacitors**  
A FISCHER & TADICHE COMPANY

HJJ

23.03.2007

faisab5652.XLS