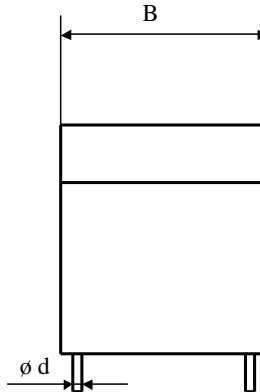
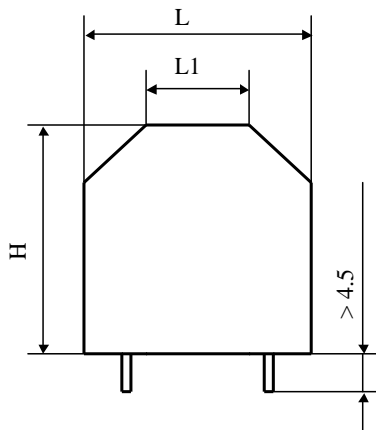
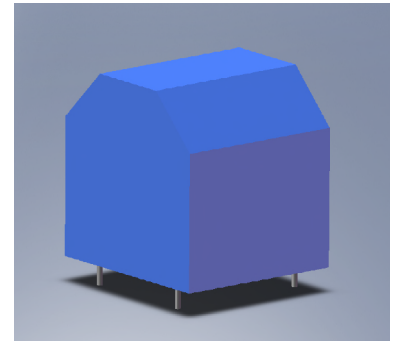
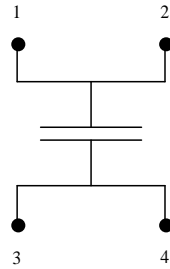
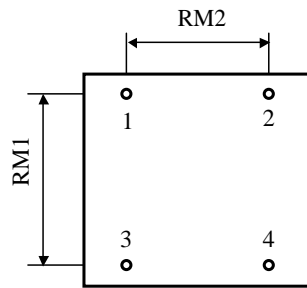


#5962

METALLIZED POLYESTER CAPACITORS

MKTJC-4 7.5-200.0 g K



Printed circuit board mounting

Self-extinguishing plastic housing

Epoxy resin sealing

Parameter	Symbol	Value	Unit	Condition
Capacitance	C	200	μF	1 V / 1 kHz
Tolerance		± 10	%	
Rated voltage	Un DC	75	VDC	
Rated voltage	Un AC	15	Veff	50 Hz to 500 Hz
RMS current	I RMS max.	18.5	Aeff	12 kHz
slope of voltage variation	du/dt max.	5	V/μsec	max. repetitive
Repetitive surge current	I cr. max	1000	A	
Equivalent serie resistance	ESR	3.2	mΩ	1 V / 10 kHz
Stray inductance	ESL	≤ 15	nH	
Insulation resistance	Ri x C	> 1'500	s	75 VDC - 1 min
Test voltage between terminals	U T1	113	VDC	10 s
Climatic category		40/105/56		
Estimated operational life (-3%)		> 100'000	h	Un DC / 70°C
Dimension	Symbol		Unit	Conditions
Width	B	36	mm	
Length	L	40	mm	
	L1	18	mm	
Height	H	40	mm	
Terminals tinned wire	ø d	1.2	mm	
RM1		30	mm	
RM2		25	mm	
	M1			
	M0			
	Modification	Date	Visa émetteur	

Condensateurs CH 1400 Yverdon, Switzerland
 Kondensatoren Tel.: ++41 24 445 66 88
 Capacitors Fax: ++41 24 445 66 89

Lecdanché
Capacitors
A FISCHER & TAUSSCH COMPANY

HJJ

www.Lcap.ch
 23.09.2010

capinfo@Lcap.ch
 faisab5962.XLS