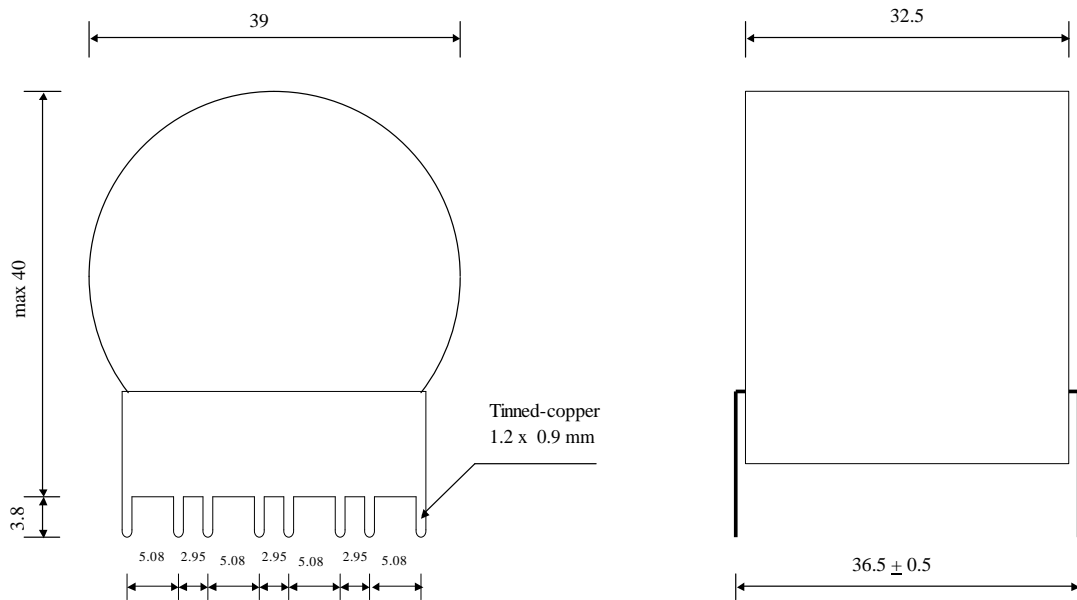


#5727

Power Electronics Capacitors

MKTCI 8-100.0 K



Dielectric of metallized polyester

Polyester wrapped / Epoxy resin sealing

Terminals for connection to Printed Circuit Board

Parameter	Symbol	Value	Unit	Condition
Capacitance	C	100	μF	1 V / 1 kHz
Tolerance		± 10	%	
Rated voltage	$U_n \text{ DC}$	80	VDC	100°C
RMS current	I RMS ma	15	A _{eff}	40 kHz ... 50 kHz
slope of voltage variation	du/dt max.	10	V/ μsec	max. repetitive
Repetitive surge current	I cr. max	1000	A	
Tangent delta	tg δ	≤ 70	10^{-4}	1 kHz
Equivalent serie resistance	ESR	≤ 4	m Ω	10 kHz
Stray inductance	ESL	≤ 15	nH	
Insulation resistance	R _i	> 100	M Ω	10 VDC - 1 min
Test voltage between terminals	U T1	160	VDC	10 s
Operating temperature		- 55 / + 125 °C		
Dimension	Symbol	Value	Unit	Conditions
Diameter		39	mm	
Height		40	mm	
Length		32.5	mm	
Terminals				
Tinned-copper	(8 x)	1.2 x 0.9	mm	
	M1			
	M0			
	Modification	Date	Visa émetteur	

Condensateurs CH 1400 Yverdon-les-Bains
 Kondensatoren Tel.: ++41 24 445 66 88
 Capacitors Fax: ++41 24 445 66 89

Le lanché
Capacitors
A TROSCHEIT & FÄRBERGHE COMPANY

HJJ

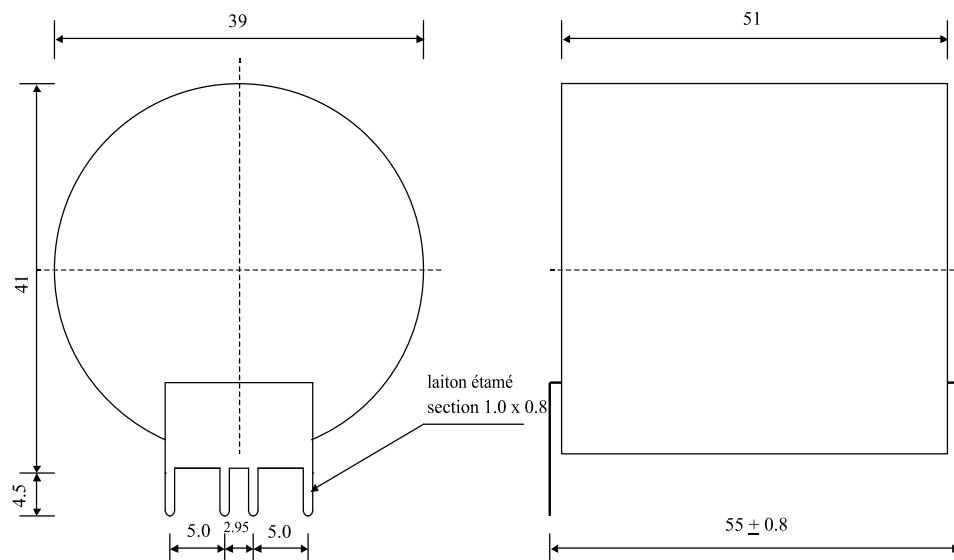
02.06.2008

faisab5727.XLS

#5620

Power Electronics Capacitors

MKTCI 8-300.0 K

Preliminary
datasheet

Printed circuit board mounting / Plastic sleeve

Dielectric of metallized polyester / Epoxy resin sealing

Parameter	Symbol		Value	Unit	Condition
Capacitance	C		300	μF	1 V / 1 kHz
Tolerance			± 10	%	
Rated voltage	Un DC		80	VDC	
Rated voltage	Un AC			Veff	50 to 300 Hz
RMS current	I RMS max.			Aeff	
slope of voltage variation	du/dt max.		2	V/μsec	max. repetitive
Repetitive surge current	I cr. max		600	A	
Tangente delta	tgδ		≤ 80	10 ⁻⁴	1 kHz
Serie resistance	RS		≤ 2.8	mΩ	1 V / 10 kHz
Stray inductance	ESL		≤ 15	nH	
Insulation resistance	Ri x C		> 10'000	s	50 VDC - 1 min
Test voltage between terminals	U T1		130	VDC	10 s
Climatic category			40/85/56		
Estimated operational life (-3%)					
Dimension	Symbol			Unit	Conditions
Width	B		39	mm	
Length	L		51	mm	
Height	H		41	mm	
Terminals tinned wire 4 x			1 x 0.8	mm	
	M1				
	M0				
	Modification	Date	Visa émetteur		

Condensateurs CH 1401 Yverdon-les-Bains
 Kondensatoren Tel.: ++41 24 445 66 88
 Capacitors Fax: ++41 24 445 66 89

Le lanché
Capacitors
A FISCHER & VAUGHAN COMPANY

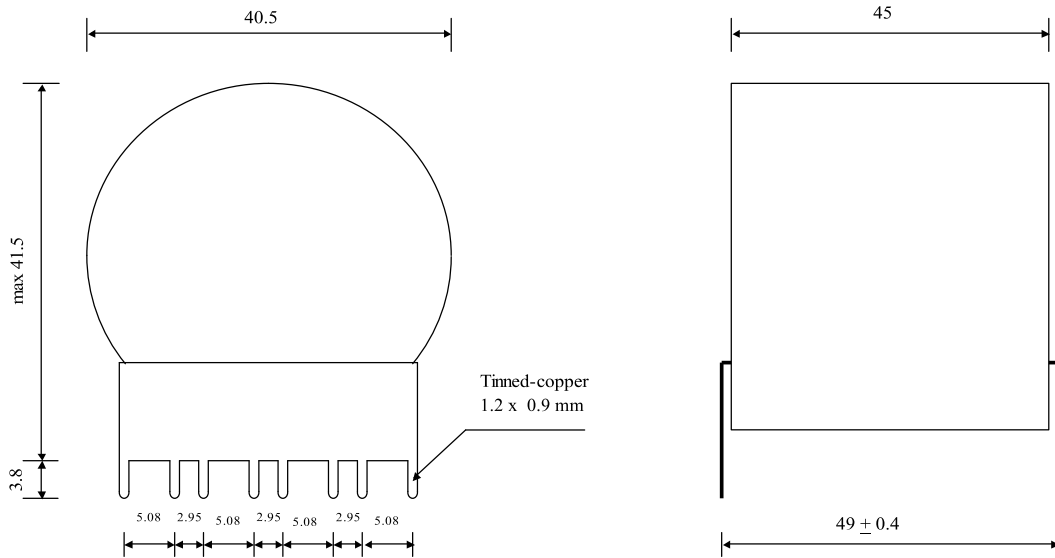
HJJ

11.12.2006

faisab5620.XLS

Power Electronics Capacitors

MKTCl 40-15.0 (K)



Dielectric of metallized polyester

Polyester wrapped / Epoxy resin sealing

Terminals for connection to Printed Circuit Board

Parameter	Symbol	Value	Unit	Condition
Capacitance	C	15	μF	1 V / 1 kHz
Tolerance		± 10	%	
Rated voltage	Un DC	400	VDC	100°C
RMS current	I RMS max.	14	A _{eff}	20kHz
slope of voltage variation	du/dt max.	110	V/μsec	max. repetitive
Repetitive surge current	I cr. max		A	
Tangent delta	tgδ		1C ⁻⁴	1 kHz
Equivalent serie resistance	ESR		mΩ	100 kHz
Stray inductance	ESL		nH	
Insulation resistance	Ri		MΩ	100 VDC - 1 min
Test voltage between terminals	U T1		VDC	10 s
Operating temperature		- 55 / + 115 °C		
Dimension	Symbol		Unit	Conditions
Diameter		40.5	mm	
Height		41.5	mm	
Length		45	mm	
Terminals				
Tinned-copper	(8 x)	1.2 x 0.9	mm	
	M1			
	M0			
	Modification	Date	Visa émetteur	

Condensateurs CH 1400 Yverdon-les-Bains
 Kondensatoren Tel.: ++41 24 445 66 88
 Capacitors Fax: ++41 24 445 66 89

Le Janché
Capacitors
A FROEYER & THALGOTT COMPANY

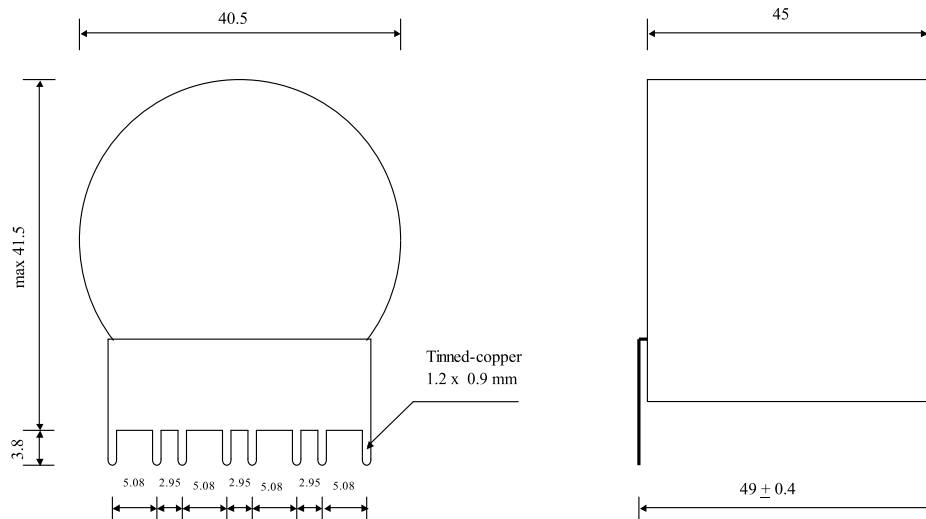
FS
06.06.2008

faisab.XLS

#5718

Power Electronics Capacitors

MKTCI 80-15.0 K



Dielectric of metallized polyester

Polyester wrapped / Epoxy resin sealing

Terminals for connection to Printed Circuit Board

Parameter	Symbol		Value	Unit	Condition
Capacitance	C		15	μF	1 V / 1 kHz
Tolerance			± 10	%	
Rated voltage	Un DC		800	VDC	100°C
RMS current	I RMS ma		10	Aeff	100 kHz
slope of voltage variation	du/dt max.		110	V/ μsec	max. repetitive
Repetitive surge current	I cr. max		1650	A	
Tangent delta	tg δ		≤ 70	10^{-4}	1 kHz
Equivalent serie resistance	ESR		≤ 13	m Ω	100 kHz
Stray inductance	ESL		≤ 15	nH	
Insulation resistance	Ri		> 720	M Ω	100 VDC - 1 min
Test voltage between terminals	U T1		1600	VDC	10 s
Operating temperature			- 55 / + 125 °C		
Dimension	Symbol			Unit	Conditions
Diameter			40.5	mm	
Height			41.5	mm	
Length			45	mm	
Terminals					
Tinned-copper	(8 x)		1.2 x 0.9	mm	
	M1				
	M0				
	Modification	Date	Visa émetteur		

Condensateurs

CH 1400 Yverdon-les-Bains

Kondensatoren

Tel.: ++41 24 445 66 88

Capacitors

Fax: ++41 24 445 66 89

Le Janché
Capacitors

A FIDONER & VAUDICHE COMPANY

HJJ

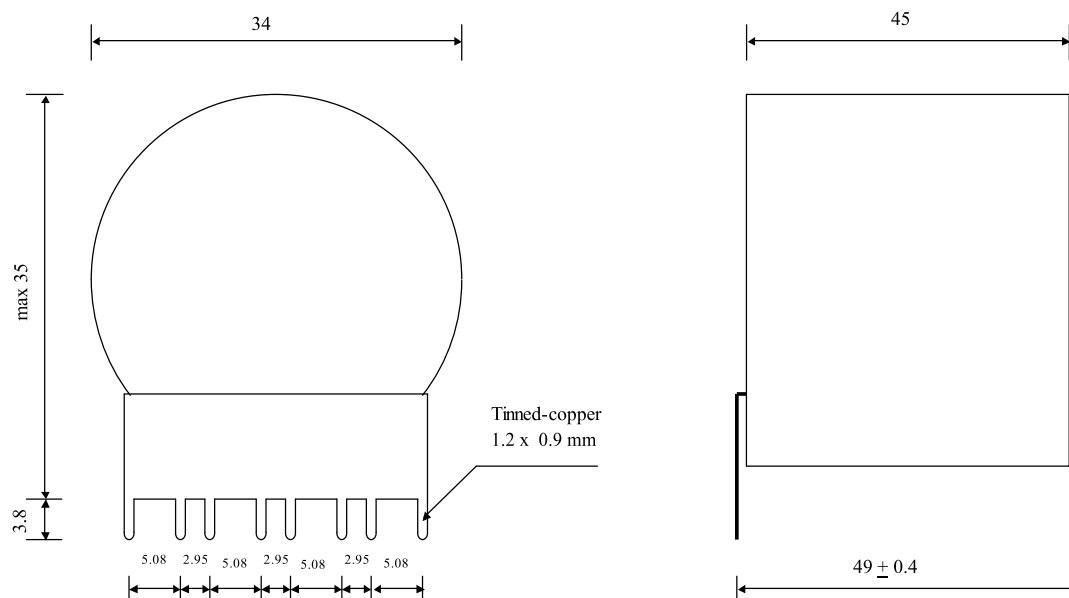
17.04.2008

faisab5718.XLS

#5676

Power Electronics Capacitors

MKTCI 100-11.0 K



Dielectric of metallized polyester

Polyester wrapped / Epoxy resin sealing

Terminals for connection to Printed Circuit Board

Parameter	Symbol		Value	Unit	Condition
Capacitance	C		11	μF	1 V / 1 kHz
Tolerance			± 10	%	
Rated voltage	Un DC		1000	VDC	100°C
RMS current	I RMS max.		10	Aeff	100 kHz
Tangent delta	tgδ		≤ 70	10 ⁻⁴	1 kHz
Equivalent serie resistance	ESR		≤ 11.0	mΩ	100 kHz
Stray inductance	ESL		≤ 15	nH	
Insulation resistance	Ri		> 920	MΩ	100 VDC - 1 min
Test voltage between terminals	U T1		1600	VDC	10 s
Operating temperature			- 55 / + 125 °C		
Dimension	Symbol			Unit	Conditions
Diameter			34	mm	
Height			35	mm	
Length			45	mm	
Terminals					
Tinned-copper	(8 x)		1.2 x 0.9	mm	
	M1				
	M0				
	Modification	Date	Visa émetteur		

Condensateurs CH 1400 Yverdon-les-Bains
 Kondensatoren Tel.: ++41 24 445 66 88
 Capacitors Fax: ++41 24 445 66 89

Le laniché
Capacitors
A FTSCHNEIR & FAUSCHER COMPANY

HJJ

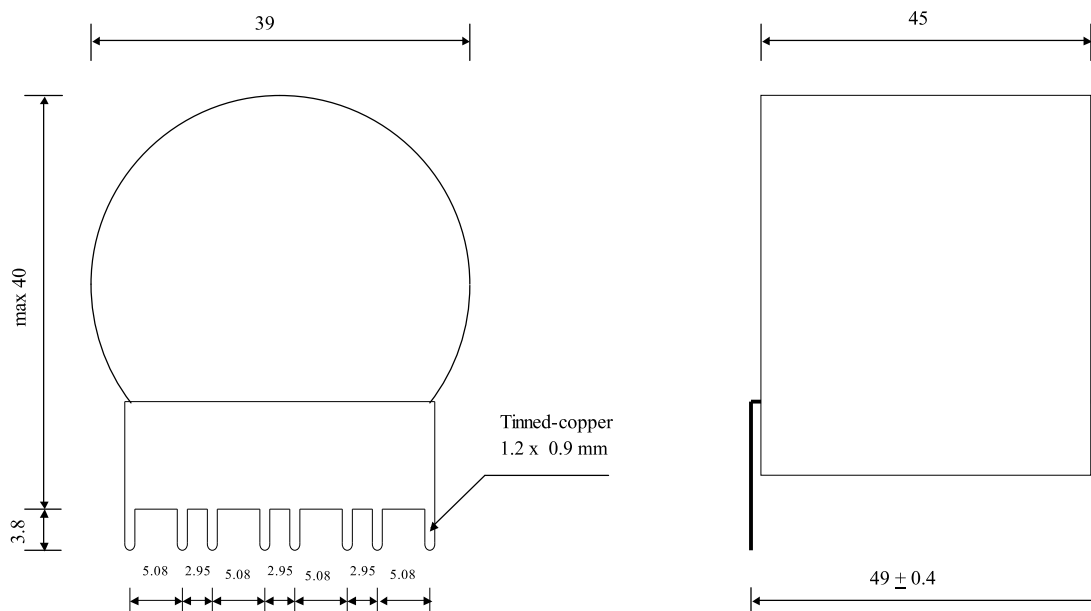
02.07.2007

faisab5676.XLS

#5673

Power Electronics Capacitors

MKTCI 100-14.0 K



Dielectric of metallized polyester

Polyester wrapped / Epoxy resin sealing

Terminals for connection to Printed Circuit Board

Parameter	Symbol	Value	Unit	Condition
Capacitance	C	14	μF	1 V / 1 kHz
Tolerance		± 10	%	
Rated voltage	Un DC	1000	VDC	100°C
RMS current	I RMS max.	12	Aeff	100 kHz
Tangent delta	tgδ	≤ 70	10 ⁻⁴	1 kHz
Equivalent serie resistance	ESR	≤ 10.0	mΩ	100 kHz
Stray inductance	ESL	≤ 15	nH	
Insulation resistance	Ri	> 720	MΩ	100 VDC - 1 min
Test voltage between terminals	U T1	1600	VDC	10 s
Operating temperature		- 55 / + 125 °C		
Dimension	Symbol	Value	Unit	Conditions
Diameter		39	mm	
Height		41	mm	
Length		45	mm	
Terminals				
Tinned-copper	(8 x)	1.2 x 0.9	mm	
	M1			
	M0	13.08.2007	HJJ	
	Modification	Date	Visa émetteur	

Condensateurs
Kondensatoren
Capacitors

CH 1400 Yverdon-les-Bains
Tel.: ++41 24 445 66 88
Fax: ++41 24 445 66 89

Le laniché
Capacitors
A FISCHER & FRANKE COMPANY

HJJ

15.06.2007

faisab5673.XLS