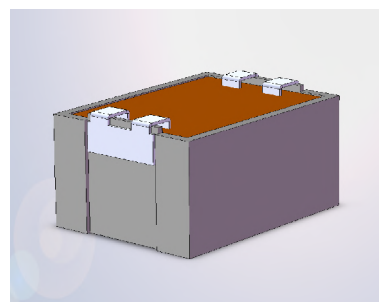
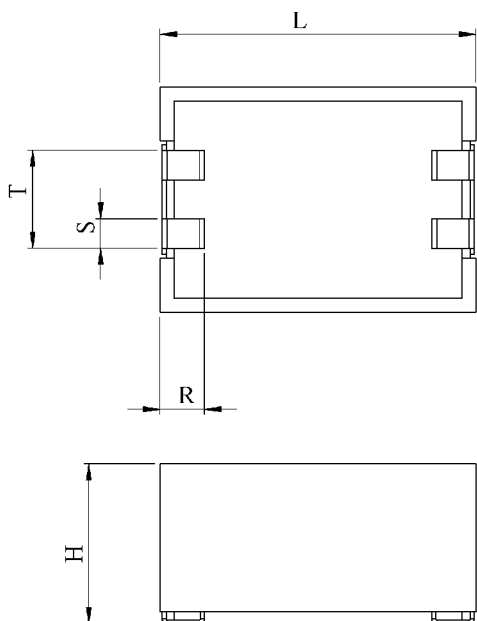


#6294

Power Electronics Capacitors

MKT 10-22.0 SMD K

Preliminary
data sheet

Surface mount device - Self-extinguishing plastic housing
Dielectric metallized polyester - Epoxy resin sealing UL 94-V0

Parameter	Symbol	Value	Unit	Condition
Capacitance	C	22	μF	1 V / 1 kHz
Tolerance		± 10	%	
Rated voltage	Un DC	100	VDC	
Maximum current	I RMS max.	8.5	Aeff	100 kHz / 100 °C
Tangent delta	tg δ	≤ 90	10^{-4}	1 kHz
Equivalent serie resistance	ESR	≤ 5.5	m Ω	100 kHz
Stray inductance	ESL	≤ 10	nH	
Insulation resistance	Ri	> 115	M Ω	100 VDC - 1 min
Test voltage between terminals	U T1	160	VDC	10 s
Operating temperature		-55 to +125	°C	
Dimension	Symbol	Value	Unit	Conditions
Width	B max	17	mm	
Height	H max	17	mm	
Length	L max	18.5	mm	
Terminals				
	R	7 ± 0.25	mm	
	S	2 ± 0.2	mm	
	T	2.25 ± 0.25	mm	
	M1			
	M0			
	Modification	Date	Visa émetteur	

Condensateurs CH 1400 Yverdon-les-Bains
Kondensatoren Tel.: ++41 24 445 66 88
Capacitors Fax: ++41 24 445 66 89

Lecdanché
Capacitors
A FRECHER & TAUSSCH COMPANY

HJJ

24.04.2014

faisab6294.XLS