

Metallized Polypropylene Power Capacitors

CXPLP

Applications

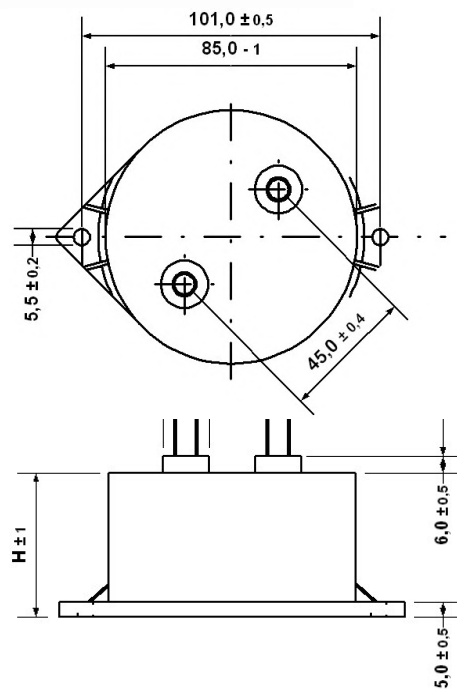
- High Power
- Low Inductance
- Medium-High Frequency
- Power Electronics

Main Characteristics

- Self-healing
- -25°C to 105°C
- Usable in intermittent duty cycles with higher Currents

Design

- PA 66 plastic case
- Polyurethane resin sealing
- Polypropylene dielectric



H [mm]	Nominal Capacitance in μF								
	20	40	55	65	85	100	130	150	200
40									
600 VDC									
700 VDC									
800 VDC									
900 VDC									
1000 VDC									
1100 VDC									
1200 VDC									
1400 VDC									
1900 VDC									

H [mm]	Nominal Capacitance in μF								
	32	60	85	100	120	150	180	220	300
51									
600 VDC									
700 VDC									
800 VDC									
900 VDC									
1000 VDC									
1100 VDC									
1200 VDC									
1400 VDC									
1900 VDC									

H [mm]	Nominal Capacitance in μF									
	45	85	115	140	170	200	260	300	400	
64										
600 VDC										
700 VDC										
800 VDC										
900 VDC										
1000 VDC										
1100 VDC										
1200 VDC										
1400 VDC										
1900 VDC										

Metallized Polypropylene Power Capacitors

CXPLP

Pos.	Type	CN [μ F]	UN DC [VDC]	UN AC [VAC]	H [mm]	I _N [A]	L _E max. [nH]	R _{ESR} [m Ω]	\hat{I} [A]	W _N [Ws]
1	CXPLP 60-200	200	600	100	40	100	10.5	< 1.0	3800	36
2	CXPLP 70-150	150	700	100	40	100	10.5	< 1.0	3300	36.8
3	CXPLP 80-130	130	800	100	40	100	10.5	< 1.0	3000	41.6
4	CXPLP 90-100	100	900	115	40	100	10.5	< 1.0	2700	40.5
5	CXPLP 100-85	85	1000	125	40	95	10.5	< 1.0	2500	42.5
6	CXPLP 110-65	65	1100	200	40	90	10.5	< 1.0	2300	39.3
7	CXPLP 120-55	55	1200	200	40	85	10.5	< 1.0	2100	39.6
8	CXPLP 140-40	40	1400	200	40	75	10.5	< 1.0	1800	39.2
9	CXPLP 190-20	20	1900	200	40	65	10.5	< 1.0	1400	36.1

Pos.	Type	CN [μ F]	UN DC [VDC]	UN AC [VAC]	H [mm]	I _N [A]	L _E max. [nH]	R _{ESR} [m Ω]	\hat{I} [A]	W _N [Ws]
1	CXPLP 60-300	300	600	100	51	100	10.5	< 1.0	3800	54
2	CXPLP 70-220	220	700	100	51	100	10.5	< 1.0	3300	53.9
3	CXPLP 80-180	180	800	100	51	100	10.5	< 1.0	3000	57.6
4	CXPLP 90-150	150	900	115	51	100	10.5	< 1.0	2700	60.8
5	CXPLP 100-120	120	1000	125	51	95	10.5	< 1.0	2500	60
6	CXPLP 110-100	100	1100	200	51	90	10.5	< 1.0	2300	60.5
7	CXPLP 120-85	85	1200	200	51	85	10.5	< 1.0	2100	61.2
8	CXPLP 140-60	60	1400	200	51	75	10.5	< 1.0	1800	58.8
9	CXPLP 190-32	32	1900	200	51	65	10.5	< 1.0	1400	57.8

Pos.	Type	CN [μ F]	UN DC [VDC]	UN AC [VAC]	H [mm]	I _N [A]	L _E max. [nH]	R _{ESR} [m Ω]	\hat{I} [A]	W _N [Ws]
1	CXPLP 60-400	400	600	100	64	100	10.5	< 1.0	3800	72
2	CXPLP 70-300	300	700	100	64	100	10.5	< 1.0	3300	73.5
3	CXPLP 80-260	260	800	100	64	100	10.5	< 1.0	3000	83.2
4	CXPLP 90-900	200	900	115	64	100	10.5	< 1.0	2700	81
5	CXPLP 100-170	170	1000	125	64	95	10.5	< 1.0	2500	85
6	CXPLP 110-140	140	1100	200	64	90	10.5	< 1.0	2300	84.7
7	CXPLP 120-115	115	1200	200	64	85	10.5	< 1.0	2100	82.8
8	CXPLP 140-85	85	1400	200	64	75	10.5	< 1.0	1800	83.3
9	CXPLP 190-45	45	1900	200	64	65	10.5	< 1.0	1400	81.2

Other voltages, capacitances on request

