

Preliminary

Type: CXPLP 90-90.0 t6 (K)

Part-No: 820004012

date: 10/06/2014 13:48:00
issued by: HT
version: 1.0
10.06.2014 14:45

Technical data

Nominal capacitance	C_N	90 $\mu\text{F} \pm 10\%$
Nominal voltage dc	U_{NDC}	900 V
Surge voltage	U_S	1350 V
Energy	W_N	36,5 Ws
Max. AC current @ $T_{\text{case}}=30^\circ\text{C}/10\text{ kHz}$	I_{RMS}	100 A
Max. Peak periodic current	$\hat{I}_{\text{Periodic}}$	2376 A
Max. Pulse rise time	$\Delta U/\Delta t$	26,4 V/ μs
Dissipation factor @ 1 kHz	$\tan\delta$	<14 $\times 10^{-4}$
Equivalent series resistance @ 10 kHz	R_{ESR}	<2 m Ω
Self inductance	L_E	10,5 nH

Dimensions

Diameter	\varnothing	85,0	-1 mm
Length	L	40,0	± 1 mm
Pitch	RM	45,0	$\pm 0,4$ mm

Max. Power loss @ $\vartheta_{\text{hotspot}} 85^\circ\text{C} / 10\text{kHz}$

@ ϑ_{case}	I	P_{max}
40°C	90 A	10 W
50°C	80 A	7,8 W
60°C	67 A	5,6 W
70°C	52 A	3,3 W

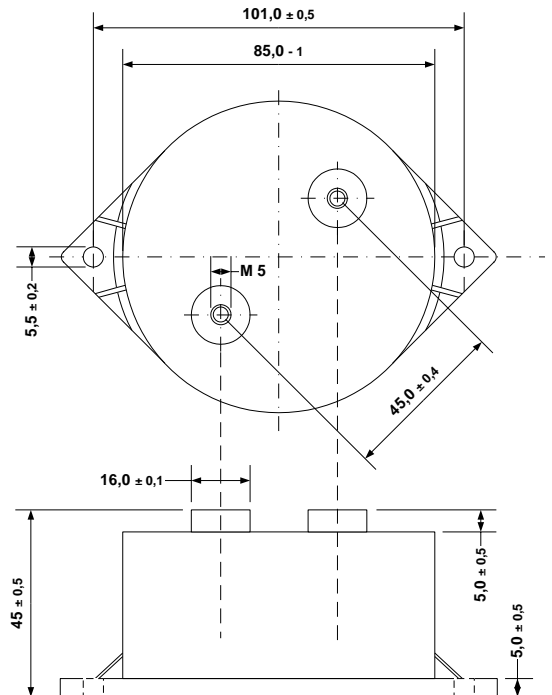
U_N -Derating

@ ϑ_{case}	U_{Nmax}
70°C	$U_N \times 1$
75°C	$U_N \times 0,9$
80°C	$U_N \times 0,8$
85°C	$U_N \times 0,7$

Min. Operating temperature	ϑ_{min}	-40 °C
Max. Operating temperature ($I_R=0$)	ϑ_{max}	+85 °C
Storage temperature	ϑ_{Lager}	-40...+85 °C
Thermal resistance (case hotspot)	R_{th}	4,5 K/W
Climatic category DIN IEC 68/1		40/085/21

Test voltage between terminals U_{TT} 1350 V dc / 2s

Life expectancy @ hot spot 60°C 100 000 h



General data

Coating	plastic case with resin sealing Flame retardant according to UL 94V-0
Dielectric	polypropylene
Terminals	M5 brass nickel plated, max. torque 5 Nm
Weight	approx. 350 g

RoHS compliant