

date: 20.01.2010 08:52
issued by:db
version: 1.0
20.01.2010 08:52

Technical data

Nominal capacitance	C_N	66 $\mu\text{F} \pm 10\%$
Nominal voltage dc	U_{NDC}	800 V
Surge voltage	U_S	1200 V
Energy	W_N	21,1 Ws
Nominal current@10kHz	I_N	100 A
Max. Peak current continuously	\hat{I}	2026 A
Max. Pulse rise time	$\Delta U/\Delta t$	30,7 V/ μs
Series resistance @ 10 kHz	R_{ESR}	0,7 m Ω
Dissipation factor @1 kHz	$\tan\delta$	2 $\times 10^{-4}$
Self inductance	L_E	10,5 nH

U_N -Derating

U_{Nmax}	@ ϑ_{case}
$U_N \times 1$	$\leq 70^\circ\text{C}$
$U_N \times 0,9$	$\leq 75^\circ\text{C}$
$U_N \times 0,8$	$\leq 80^\circ\text{C}$
$U_N \times 0,7$	$\leq 85^\circ\text{C}$

Min. Operating temperature	ϑ_{min}	-40 $^\circ\text{C}$
Max. Operating temperature ($I_R = 0$)	ϑ_{max}	+105 $^\circ\text{C}$
Storage temperature	ϑ_{Store}	-40...+105 $^\circ\text{C}$
Thermal resistance (case hotspot)	R_{th}	3 $^\circ\text{C}/\text{W}$
Climatic category DIN IEC 68/1		40/085/21

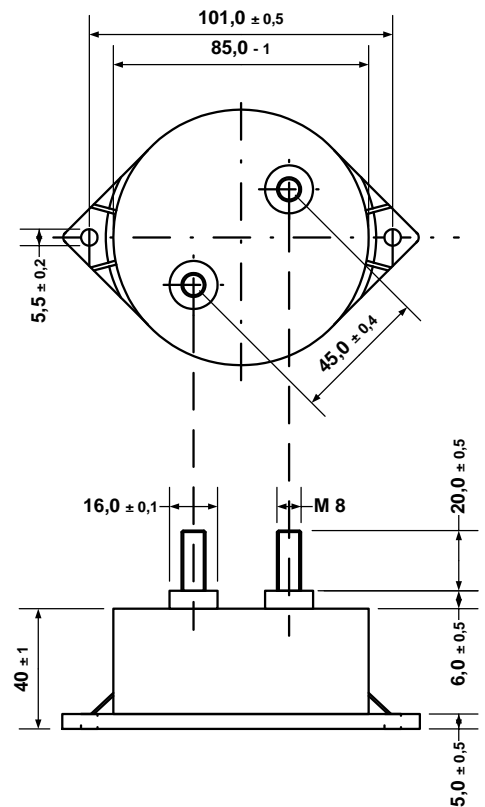
Test Data

Test voltage between terminations U_{TT} 1200 V dc / 10s

Life expectancy @ hot spot 60°C and under following conditions : 100 000 h

10 shots of 2s each,
with a pause between shots of 5s at 50°C ambient temp.
Then a pause of 10 minutes.

Two caps will be used together, decoupled :
300A at 200kHz during the 2s shot.
Then 50A at 400kHz during the 5s pause.



General technical data

Application	resonance
Coating	plastic case with resin sealing Flame retardant according to UL 94V-0
Dielectric	polypropylene
Terminals	tinned copper
Weight	~ 500g