


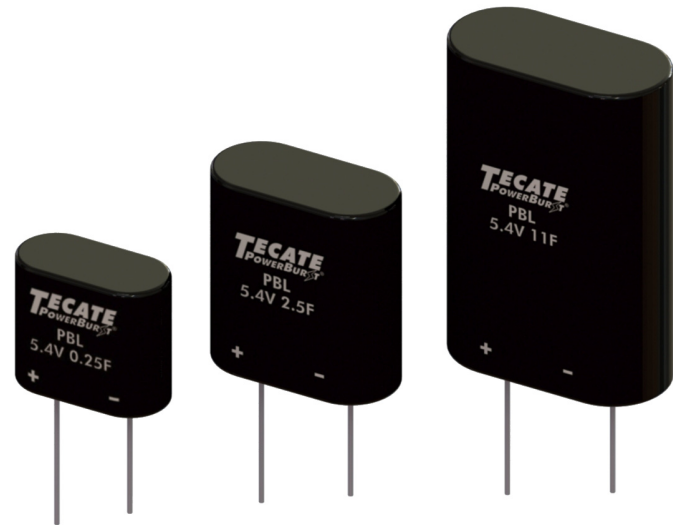
FEATURES

- Small size and low-resistance
- Passive linear voltage balanced cells
- Quick charge & discharge
- RoHS compliant
- UL recognized 



APPLICATIONS

- Pulse power demand
- Hybrid battery packs
- Portable Electronic Devices



PART NUMBERING

| Part Number Example: PBL-5.0/5.4 | | | |
|----------------------------------|----------|----------------------|----------------|
| PBL | - | 5.0 | / 5.4 |
| Type | | Capacitance Code (F) | Module Voltage |

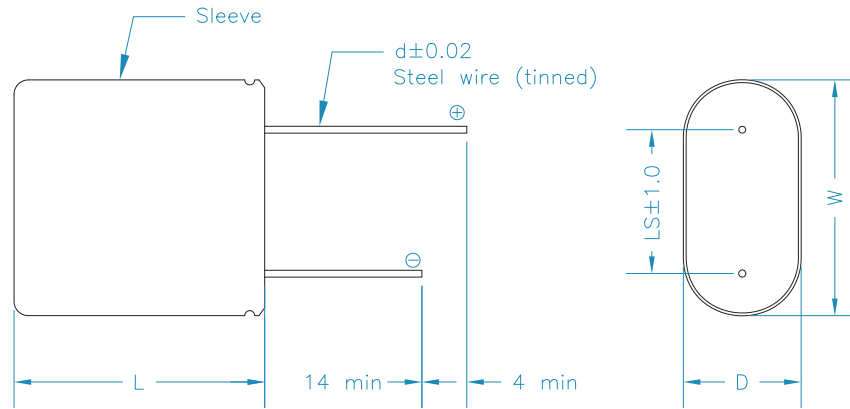
SPECIFICATIONS

| Item | Performance | | |
|------------------------------------|--------------------------------------------------------------------------------------------------|---------------------------------------------------------------|-------------------------------------------|
| Operating temperature | -40°C to +65°C | | |
| Storage temperature | -40°C to +70°C | | |
| Rated voltage | 5.4 VDC | | |
| Surge voltage | 5.7 VDC | | |
| Capacitance range | 0.25F to 15F | | |
| Capacitance tolerance | -10/+20% | | |
| Characteristics at low temperature | Capacitance Change | Within ±5% of initial measured value at +25°C(-40°C to +65°C) | |
| | Internal resistance | Within ±50% of initial measured value at +25°C(at -40°C) | |
| Lifetime at 25°C | 10 years | Capacitance change | ±30 % of initial rated value |
| | | Internal resistance | Within 2 times of initial specified value |
| Cycle life at 25°C | 500,000 cycles | Capacitance change | ±30 % of initial rated value |
| | | Internal resistance | Within 2 times of initial specified value |
| Endurance | After 1000 hours, application of 5.4V DC at 65°C, the capacitor shall meet the following limits: | | |
| | Capacitance change | ±30% of initial rated value | |
| | Internal resistance | Within 2 times of initial specified value | |
| Storage life | 2 years at 25°C | | |

DIMENSIONS



Units = mm



STANDARD PRODUCTS

| Part Numbers | CAP (F) | ESR/DC (m ohm) | ESR/AC 1 kHz (m ohm) | Leakage Current (mA) (72 hrs @ 25C) | Dimension (mm) | | | | | Max Current 1s to 1/2V (A) | Isc (A) |
|--------------|---------|----------------|----------------------|-------------------------------------|----------------|---------|---------|-----|------|----------------------------|---------|
| | | | | | D (max) | L (max) | W (max) | d | LS | | |
| PBL-0.25/5.4 | 0.25 | 3600 | 1400 | 0.08 | 9.5 | 15.5 | 18 | 0.6 | 12.0 | 0.36 | 1.5 |
| PBL-0.5/5.4 | 0.5 | 1400 | 630 | 0.08 | 9.5 | 15.5 | 18 | 0.6 | 12.0 | 0.79 | 3.9 |
| PBL-0.75/5.4 | 0.75 | 820 | 380 | 0.08 | 9.5 | 17.5 | 18 | 0.6 | 12.0 | 1.25 | 6.6 |
| PBL-1.0/5.4 | 1 | 700 | 360 | 0.09 | 9.5 | 19.5 | 18 | 0.6 | 12.0 | 1.59 | 7.7 |
| PBL-1.65/5.4 | 1.65 | 580 | 300 | 0.18 | 11.5 | 23.5 | 22 | 0.6 | 15.4 | 2.28 | 9.3 |
| PBL-2.0/5.4 | 2 | 500 | 300 | 0.19 | 11.5 | 23.5 | 22 | 0.6 | 15.4 | 2.70 | 11.0 |
| PBL-2.5/5.4 | 2.5 | 320 | 180 | 0.19 | 11.5 | 23.5 | 22 | 0.6 | 15.4 | 3.75 | 17.0 |
| PBL-3.0/5.4 | 3 | 260 | 140 | 0.19 | 11.5 | 23.5 | 22 | 0.6 | 15.4 | 4.55 | 21.0 |
| PBL-4.0/5.4 | 4 | 200 | 120 | 0.19 | 11.5 | 28.5 | 22 | 0.6 | 15.4 | 6.00 | 27.0 |
| PBL-5.0/5.4 | 5 | 170 | 120 | 0.20 | 11.5 | 33.5 | 22 | 0.6 | 15.4 | 7.30 | 32.0 |
| PBL-11/5.4 | 11 | 90 | 60 | 0.58 | 13.5 | 38.5 | 26 | 0.8 | 18.2 | 14.92 | 60.0 |
| PBL-15/5.4 | 15 | 70 | 50 | 0.62 | 17.5 | 34.5 | 34 | 0.8 | 24.1 | 19.76 | 77.0 |