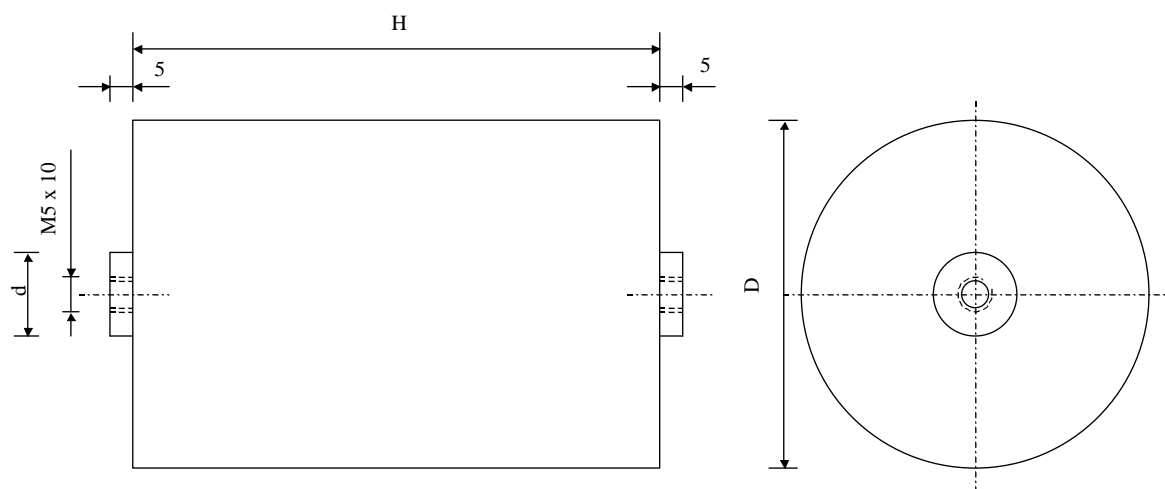


| | | |
|--------|-------------------------|---------------------------|
| # 5804 | High Voltage capacitors | TYPE KTA 1200-220 uv K |
|--------|-------------------------|---------------------------|



Polyester Film + Aluminum Foil

Plastic tube - Polyurethane resin end sealing - Threaded outputs

| Paramètre | Symbol | Value | Unit | Condition |
|--------------------------------|------------|----------|------|---------------------|
| Capacitance | C | 2 | nF | 20°C, 1 kHz |
| Tolérance | | 10 | % | |
| Rated voltage | Un AC | 12'000 | VAC | 50 Hz |
| Rated voltage | Un DC | 26'000 | VDC | |
| Slope of voltage variation | du/dt max. | 26'000 | V/μs | max. repetitive |
| Repetitive surge current | I cr. max | 52 | A | max. repetitive |
| Tangent delta | tgδ | ≤ 70 E-4 | | 1 V / 1 kHz / 25 °C |
| Stray inductance | ESL | ≤ 500 | nH | |
| Insulation resistance | Ri x C | > 20'000 | s | 500 VDC - 1 min |
| Test voltage between terminals | U T1 | 52'000 | VDC | 1 min |
| Climatic category | | 25/70/56 | | |
| Partial discharge | Ui | < 50 | pC | 12 kVAC / 50 Hz |

| Dimension | Symbole | Value | Unité | Conditions |
|-----------|---------|---------|-------|------------|
| Diameter | D | 90 | mm | |
| Height | H | 150 | mm | |
| Terminals | | | | |
| Thread | | M5 x 10 | mm | |
| | ø d | 10 | mm | |

| | | | | |
|---------------------------------------------------|--------------|------|---------------|--|
| Valeurs indicatives, sous réserve de modification | M2 | | | |
| | M1 | | | |
| | M0 | | | |
| | Modification | Date | Visa émetteur | |

Condensateurs CH 1400 Yverdon-les-Bains
 Kondensatoren Tel.: ++41 24 272 282
 Capacitors Fax: ++41 24 272 285

Le lanché
Capacitors
A FISCHER & TALSCHER COMPANY

HJJ

09.04.2009

faisab5804.XLS