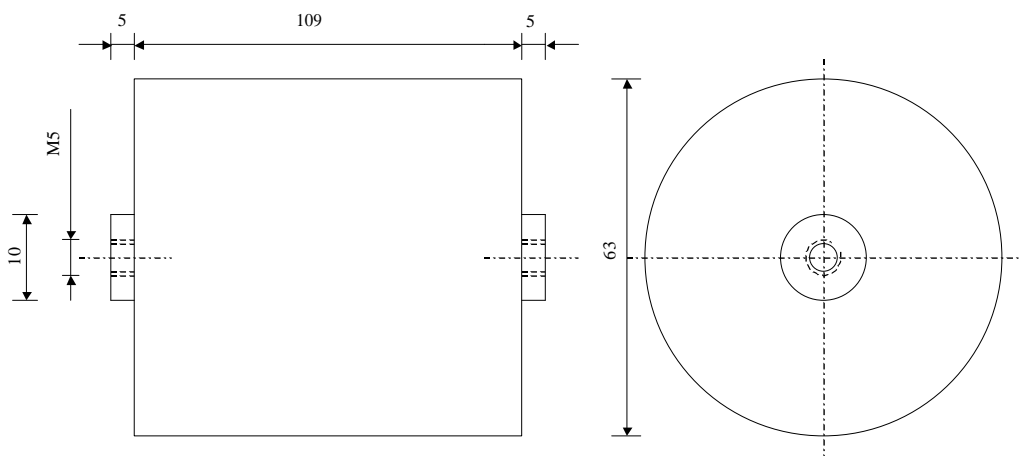


5514

FILM-FOIL CAPACITORS

TYPE
KPHT 1200-01250 uv K

Dielectric polypropylene - Plastic tube

Polyurethane resin end sealing - Threaded outputs

Paramètre	Symbol	Value	Unit	Condition
Capacitance	C	125	nF	20°C, 1 kHz
Tolérance		± 10	%	
Rated voltage	Un DC	12'000	VDC	
Rated voltage	Un AC	750	VAC	50 Hz to 40 kHz
RMS Current	I _{eff} max.	25	A _{eff}	40 kHz to 100 kHz
slope of voltage variation	du/dt max.	26'000	V/μsec	
Tangente delta	tgδ	≤ 4.0 E-4		1 V / 10 kHz / 20 °C
Stray inductance	ESL	≤ 60	nH	
Insulation resistance	Ri	> 100'000	MΩ	100 VDC - 1 min
Test voltage between terminals	U T1	24'000	VDC	1 min
Climatic category		25/70/56		

Dimension	Symbole	Value	Unité	Conditions
Diameter	∅	63	mm	
Height	H	109	mm	
Terminals				
Thread		M5 x 10	mm	

Valeurs indicatives, sous réserve de modification	M2			
	M1			
	M0			
	Modification	Date	Visa émetteur	

Condensateurs CH 1401 Yverdon-les-Bains

Kondensatoren Tel.: ++41 24 445 66 88

Capacitors Fax: ++41 24 445 66 89

Le Janché
Capacitors
A FARCHER & TALBURGH COMPANY

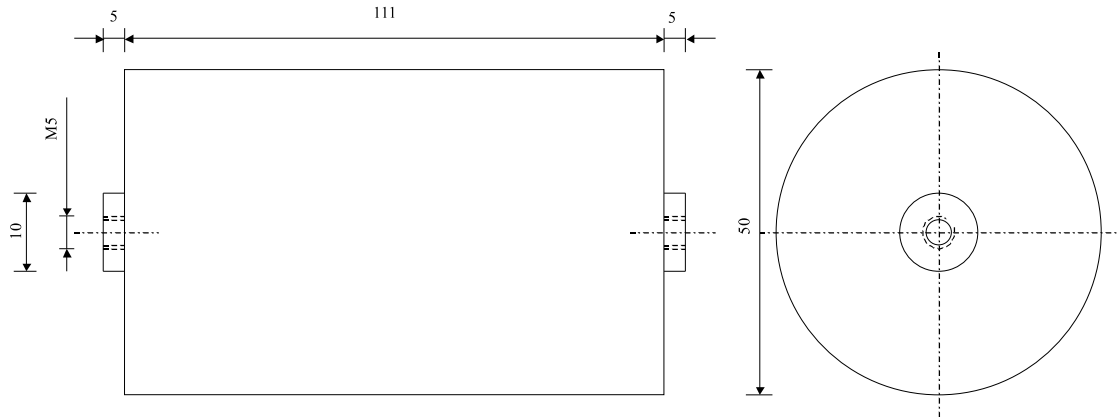
HJJ

15.09.2005

faisab5514.XLS

5663

FILM-FOIL CAPACITORS

TYPE
KPHT 2000-110 uva K

Dielectric polypropylene - Plastic tube

Polyurethane resin end sealing - Threaded outputs

Paramètre	Symbol	Value	Unit	Condition
Capacitance	C	10	nF	20°C, 1 kHz
Tolérance		± 10	%	
Rated voltage	Un DC	20'000	VDC	40°C
Rated voltage	Un DC	15'000	VDC	85°C
Rated voltage	Un AC	1650	VAC	50 Hz / 60°C
Rated voltage	Un AC	1050	VAC	20 kHz / 60°C
Max voltage	U max	25'000	VDC	
Tangente delta	tgδ	≤ 4.0 E-4		1 V / 10 kHz / 20 °C
Stray inductance	ESL	≤ 100	nH	
Insulation resistance	Ri	> 100'000	MΩ	100 VDC - 1 min
Test voltage between terminals	U T1	40'000	VDC	1 min
Climatic category		25/70/56		

Dimension	Symbole	Value	Unité	Conditions
Diameter	∅	50	mm	
Height	H	111	mm	
Terminals				
Thread		M5 x 10	mm	
Valeurs indicatives, sous réserve de modification	M2			
	M1			
	M0			
	Modification	Date	Visa émetteur	

Condensateurs CH 1400 Yverdon-les-Bains
 Kondensatoren Tel.: ++41 24 445 66 88
 Capacitors Fax: ++41 24 445 66 89

Le lancé
Capacitors
A FISCHER & TALSCHER COMPANY

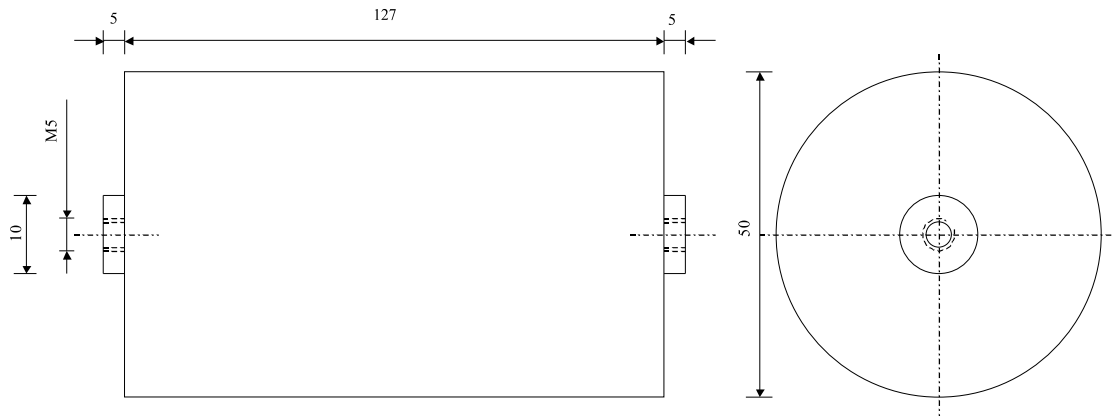
HJJ

08.05.2007

faisab5663.XLS

5664

FILM-FOIL CAPACITORS

TYPE
KPHT 2000-120 uva K

Dielectric polypropylene - Plastic tube

Polyurethane resin end sealing - Threaded outputs

Paramètre	Symbol	Value	Unit	Condition
Capacitance	C	20	nF	20°C, 1 kHz
Tolérance		± 10	%	
Rated voltage	Un DC	20'000	VDC	40°C
Rated voltage	Un DC	15'000	VDC	85°C
Rated voltage	Un AC	1650	VAC	50 Hz / 60°C
Rated voltage	Un AC	1050	VAC	20 kHz / 60°C
Max voltage	U max	25'000	VDC	
Tangente delta	tgδ	≤ 4.0 E-4		1 V / 10 kHz / 20 °C
Stray inductance	ESL	≤ 100	nH	
Insulation resistance	Ri	> 100'000	MΩ	100 VDC - 1 min
Test voltage between terminals	U T1	40'000	VDC	1 min
Climatic category		25/70/56		

Dimension	Symbole	Unité	Conditions
Diameter	∅	50 mm	
Height	H	127 mm	
Terminals			
Thread		M5 x 10 mm	
Valeurs indicatives, sous réserve de modification	M2		
	M1		
	M0		
	Modification	Date	Visa émetteur

Condensateurs CH 1400 Yverdon-les-Bains
 Kondensatoren Tel.: ++41 24 445 66 88
 Capacitors Fax: ++41 24 445 66 89

Le lancé
Capacitors
A FISCHER & TAUSSCHER COMPANY

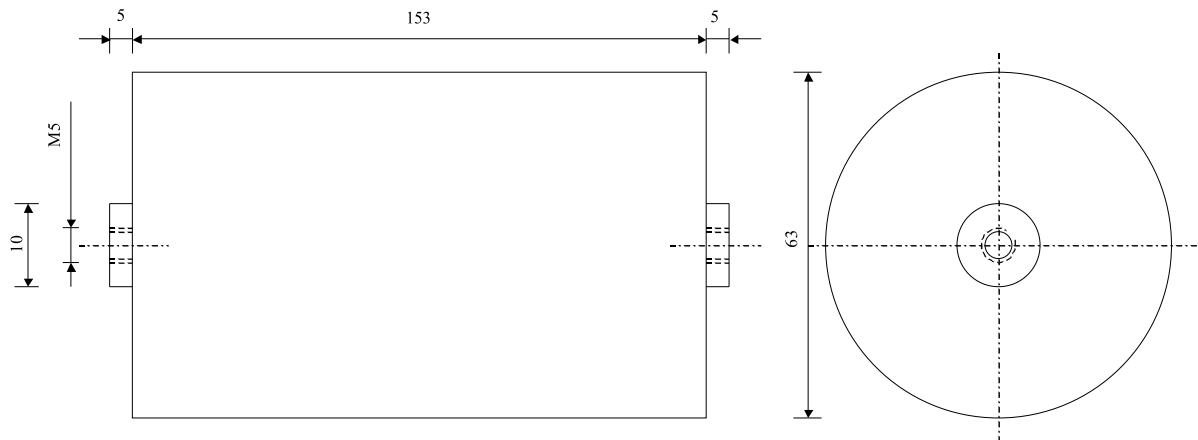
HJJ

08.05.2007

faisab5664.XLS

5544

FILM-FOIL CAPACITORS

TYPE
KPHT 2000-150 uva K

Dielectric polypropylene - Plastic tube

Polyurethane resin end sealing - Threaded outputs

Paramètre	Symbol	Value	Unit	Condition
Capacitance	C	50	nF	20°C, 1 kHz
Tolérance		± 10	%	
Rated voltage	Un DC	20'000	VDC	40°C
Rated voltage	Un DC	15'000	VDC	85°C
Rated voltage	Un AC	1650	VAC	50 Hz / 60°C
Rated voltage	Un AC	1050	VAC	20 kHz / 60°C
Max voltage	U max	25'000	VDC	
Tangente delta	tgδ	≤ 4.0 E-4		1 V / 10 kHz / 20 °C
Stray inductance	ESL	≤ 100	nH	
Insulation resistance	Ri	> 100'000	MΩ	100 VDC - 1 min
Test voltage between terminals	U T1	40'000	VDC	1 min
Climatic category		25/70/56		

Dimension	Symbole	Value	Unité	Conditions
Diameter	∅	63	mm	
Height	H	153	mm	
Terminals				
Thread		M5 x 10	mm	
Valeurs indicatives, sous réserve de modification	M2			
	M1			
	M0			
	Modification	Date	Visa émetteur	

Condensateurs CH 1401 Yverdon-les-Bains
 Kondensatoren Tel.: ++41 24 445 66 88
 Capacitors Fax: ++41 24 445 66 89

Le lanché
Capacitors
A FÜRCHER & TÄUBER COMPANY

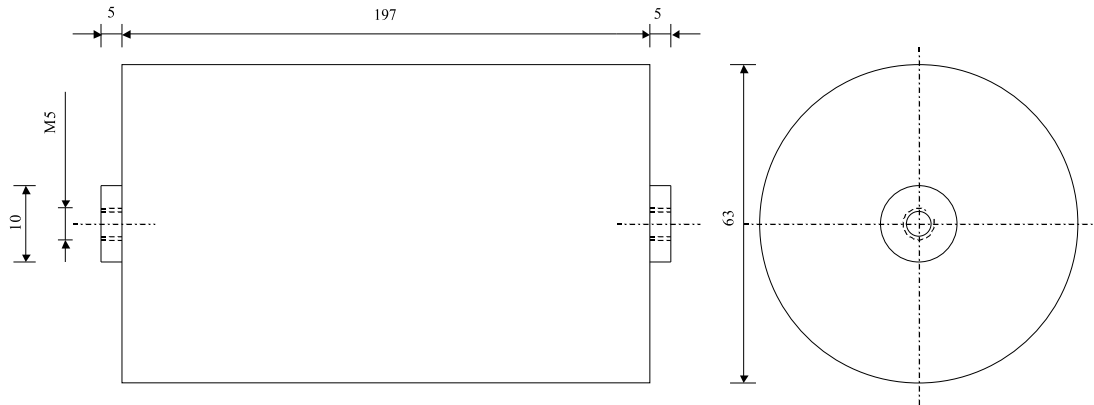
HJJ

15.03.2006

faisab5544.XLS

5662

FILM-FOIL CAPACITORS

TYPE
KPHT 2000-010 uva K

Dielectric polypropylene - Plastic tube

Polyurethane resin end sealing - Threaded outputs

Paramètre	Symbol	Value	Unit	Condition
Capacitance	C	100	nF	20°C, 1 kHz
Tolérance		± 10	%	
Rated voltage	Un DC	20'000	VDC	40°C
Rated voltage	Un DC	15'000	VDC	85°C
Rated voltage	Un AC	1650	VAC	50 Hz / 60°C
Rated voltage	Un AC	1050	VAC	20 kHz / 60°C
Max voltage	U max	25'000	VDC	
Tangente delta	tgδ	≤ 4.0 E-4		1 V / 10 kHz / 20 °C
Stray inductance	ESL	≤ 100	nH	
Insulation resistance	Ri	> 100'000	MΩ	100 VDC - 1 min
Test voltage between terminals	U T1	40'000	VDC	1 min
Climatic category		25/70/56		

Dimension	Symbole	Value	Unité	Conditions
Diameter	∅	63	mm	
Height	H	197	mm	
Terminals				
Thread		M5 x 10	mm	
Valeurs indicatives, sous réserve de modification	M2			
	M1			
	M0			
	Modification	Date	Visa émetteur	

Condensateurs CH 1400 Yverdon-les-Bains
 Kondensatoren Tel.: ++41 24 445 66 88
 Capacitors Fax: ++41 24 445 66 89

Le lancé
Capacitors
A FÜRCHER & TÄUBER COMPANY

HJJ

08.05.2007

faisab5662.XLS