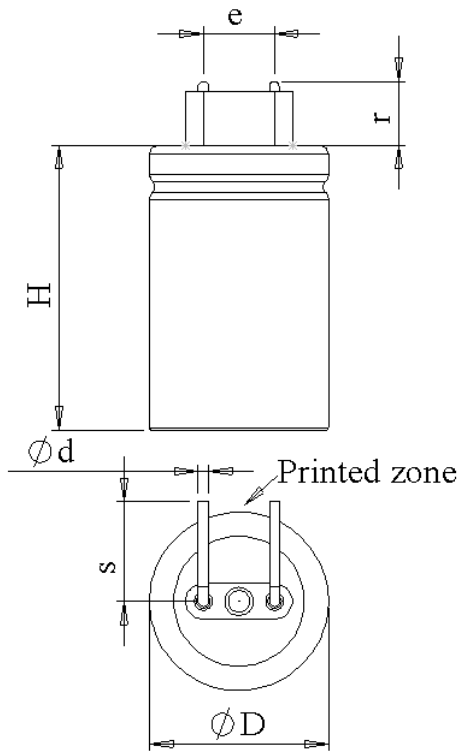


#5794

HIGH TEMPERATURE FILM CAPACITORS

MKS 63-020 c3 G

Dielectric of metallized
polyphenylene sulfide

Resin end sealing

Aluminium case

Parameter	Symbol	Value	Unit	Condition
Capacitance	C	0.2	μF	1 V / 1 kHz
Tolerance		± 2	%	
Rated voltage	Un DC	630	VDC	
Rated voltage	Un AC	250	Veff	1000 Hz
slope of voltage variation	du/dt max.	150	V/ μsec	max. repetitive
Repetitive surge current	I cr. max	15	A	
Tangent delta	tg δ	≤ 10	10^{-4}	1 V / 1 kHz / 22°C
Stray inductance	ESL	≤ 50	nH	
Insulation resistance	Ri	$> 25'000$	M Ω	100 VDC - 1 min
Test voltage between terminals	U T1	625	VAC	50 Hz / 2 sec.
Test voltage terminals to case	U T2	2500	VAC	50 Hz / 2 sec.
Operating temperature		- 40 ... + 85	°C	
Estimated operational life (-3%)		100'000	h	Un AC / 1000 Hz
Dimension	Symbol	Value	Unit	Conditions
Diameter	D	25	mm	
Height	H	40	mm	
Terminals				
Lead	d	1.5	mm	
Thread spacing	e	10.0 ± 1	mm	
	r	11	mm	
	s	15 ± 2	mm	
	M1	05.04.2012	HJJ	
	M0	19.04.2010	HJJ	
	Modification	Date	Visa émetteur	

Condensateurs CH 1400 Yverdon-les-Bains
 Kondensatoren Tel.: ++41 24 445 66 88
 Capacitors Fax: ++41 24 445 66 89

Lecan
Capacitors
A FISCHER & TAUSSCHER COMPANY

HJJ

19.03.2009

faisab5794.XLS