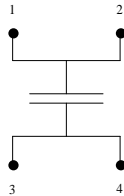
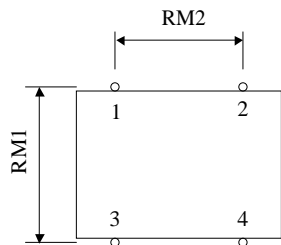


#5638

HIGH TEMPERATURE FILM CAPACITORS

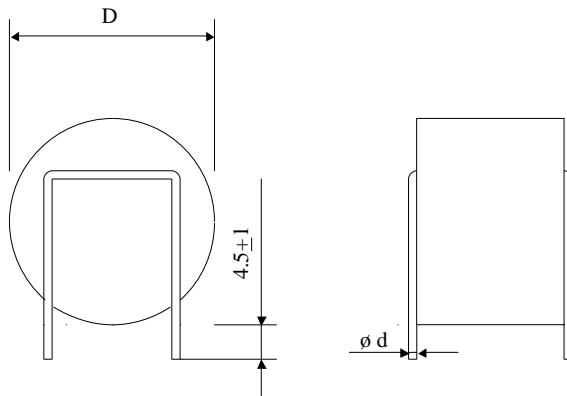
MKS-4 50-4.7 nr K



Printed circuit board mounting

Dielectric of

metallized polyphenylene sulfide



Parameter	Symbol		Value	Unit	Condition
Capacitance	C		4.7	μF	1 V / 1 kHz
Tolerance			± 10	%	
Rated voltage	Un DC		500	VDC	
Rated voltage	Un AC		250	Veff	50 Hz
RMS current	I RMS max.		6	Aeff	10 kHz / 110 °C
slope of voltage variation	du/dt max.		40	V/ μsec	max. repetitive
Repetitive surge current	I cr. max		188	A	
Tangente delta	tg δ		≤ 6	10^{-4}	1 V / 1 kHz
Tangente delta	tg δ		≤ 18	10^{-4}	1 V / 10 kHz
Stray inductance	ESL		≤ 50	nH	
Insulation resistance	Ri		$> 1'000$	M Ω	100 VDC - 1 min
Test voltage between terminals	U T1		800	VDC	10 s
Operating temperature			- 55 ... + 125	°C	
Dimension	Symbol		Value	Unit	Conditions
Diameter	\varnothing		40	mm	
Terminals tinned wire (4 x)	$\varnothing d$		1.2	mm	
RM1			30	mm	
RM2			25	mm	
	M1				
	M0				
	Modification	Date	Visa émetteur		

Condensateurs CH 1400 Yverdon-les-Bains
 Kondensatoren Tel.: ++41 24 445 66 88
 Capacitors Fax: ++41 24 445 66 89

Le lanché
Capacitors
A FISCHER & TAUERSCHE COMPANY

HJJ

14.02.2007

faisab5638.XLS