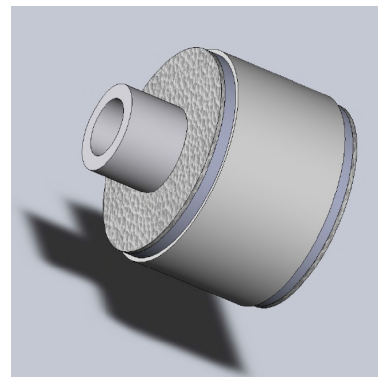
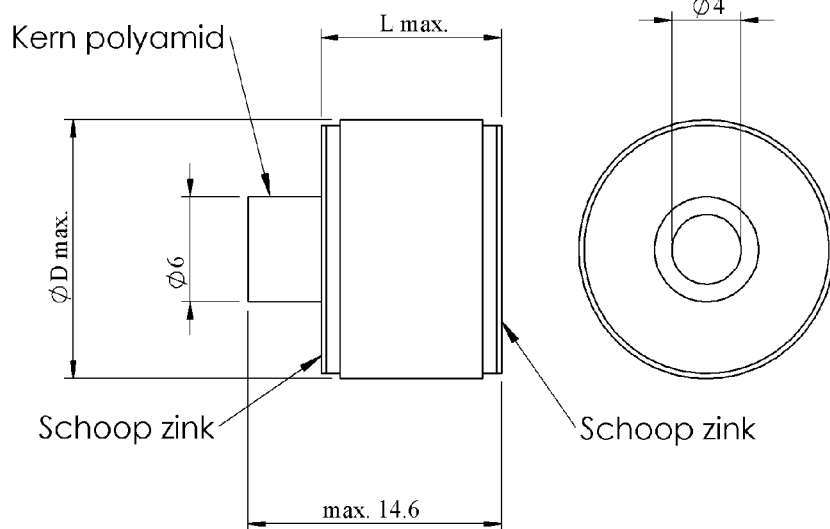


#6297

METALLIZED POLYESTER CAPACITORS

MKT 6-2.2 bob J



POLYESTER WRAPPED UL510
METAL END FACES
NO PRINTING

Parameter	Symbol		Value	Unit	Condition
Capacitance	C		2.2	μF	1 V / 1 kHz
Tolerance			± 5	%	
Rated voltage	Un DC		63	VDC	
slope of voltage variation	du/dt max.		30	V/ μsec	max. repetitive
Repetitive surge current	I cr. max		66	A	
Tangente delta	tg δ		55	10^{-4}	1 V / 1 kHz
Stray inductance	ESL		≤ 7	nH	
Insulation resistance	Ri		> 5'000	M Ω	63 VDC - 1 min
Test voltage between terminals	U T1		100	VDC	10 s
Climatic category			25/85/21		
Estimated operational life (-3%)			100'000	h	Un DC / 70°C
Dimension	Symbol			Unit	Conditions
Diameter	D max.		14.7	mm	
Length	L max.		10.4	mm	
	M1				
	M0				
	Modification	Date	Visa émetteur		

Condensateurs CH 1400 Yverdon-les-Bains
Kondensatoren Tel.: ++41 24 445 66 88
Capacitors Fax: ++41 24 445 66 89

Leclanché
Capacitors
A FISCHER & TAUSSCHER COMPANY

HJJ

www.Lcap.ch
12.05.2014

capinfo@Lcap.ch
faisab6297.XLS