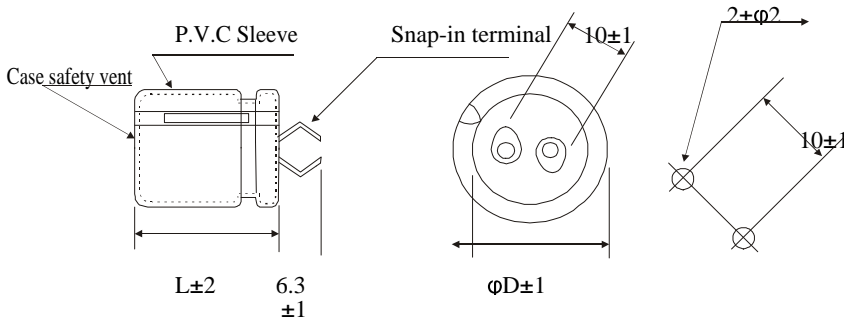


LCap p/n Snap-in GR 400-470 30040

Size: $\Phi D \times L$ (mm)		30X45	
Capacitors (μF)		470	
Capacitance Tolerance (at 20°C 120Hz)		$\pm 20\%$ (M)	
Voltage WV(V)		400	
Operating Temperature Range (°C)		-25~+85°C	
Leakage Current (at 20°C , after 5 minutes)(μA)		≤ 3000	
Dissipation Factor (Tan δ) (at 20°C 120Hz)		≤ 0.15	
Rated Ripple Current (mArms) (at 85°C 120Hz)		2500	
Low Temperature Characteristics (at 120Hz)	Impedance ratio	Z(-25°C)/Z(+20°C)	4
		Z(-40°C)/Z(+20°C)	--
Load Life	After 1000 hours application of DC rated working voltage at 85°C, the capacitor shall meet the following limits:		
	Capacitance change	$\leq \pm 20\%$ of the initial measured value	
	Tan δ	$\leq 200\%$ of the initial specified value.	
	DC Leakage Current	\leq the initial specified value.	
Shelf Life	After storage for 1000 hours at 85°C, the capacitor shall meet the following limits:		
	Capacitance change	$\leq \pm 20\%$ of the initial measured value	
	Tan δ	$\leq 200\%$ of the initial specified value.	
	DC Leakage Current	\leq the initial specified value.	
Others	Conforms to characteristic in JISC 5141		

DRAWING

Unit: mm



$\Phi D + 1.0$	$L + 2.0$	$P \pm 1.0$
30+1.0	45+2.0	10.0