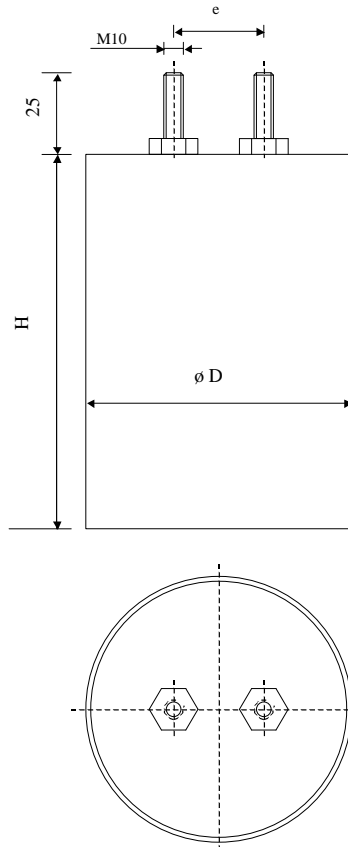


#6056

Discharge capacitors

PPMF 60-960.0 u5 K



Dielectric of metallized polypropylene

Threaded outputs

Resin end sealing

Plastic case

Parameter	Symbol	Value	Unit	Condition
Capacitance	C	960	μF	1 V / 1 kHz
Tolerance		± 10	%	
Rated voltage	$U_n \text{ DC}$	600	VDC	
Maximum voltage	U_m	750	VDC	
Reversal Voltage	$U \text{ rev.}$	0	%	
Repetitive surge current	$I \text{ cr. max}$	4'000	A	
Frequency max.	$F \text{ max.}$	180		discharge / min
RMS Current	$I_{\text{eff max.}}$	59	A_{eff}	
Tangent delta	$\text{tg}\delta$	< 80	10^{-4}	100 Hz
Stray inductance	ESL	≤ 90	nH	
Insulation resistance	$R_i \times C$	$> 5'000$	s	500 VDC - 1 min
Test voltage between terminals	U_{T1}	900	VDC	10 s
Operating temperature		$+ 0 / + 4$	$^{\circ}\text{C}$	
Estimated operational life		100 M	Discharge	600 V / 4000 A

Dimension	Symbol	Value	Unit	Conditions
Diameter	ϕD	140	mm	
Height	H	280	mm	
Terminals				
Thread		M 10	mm	
Thread spacing	e	60 ± 1.0	mm	
	M1			
	M0			
	Modification	Date	Visa émetteur	

Condensateurs CH 1400 Yverdon, Switzerland
 Kondensatoren Tel.: ++41 24 445 66 88
 Capacitors Fax: ++41 24 445 66 89

Leclanché
Capacitors
A FIRCHEM & ZAUSCHKE COMPANY

HJJ

www.Lcap.ch
 28.10.2011

capinfo@Lcap.ch
 faisab6056.XLS