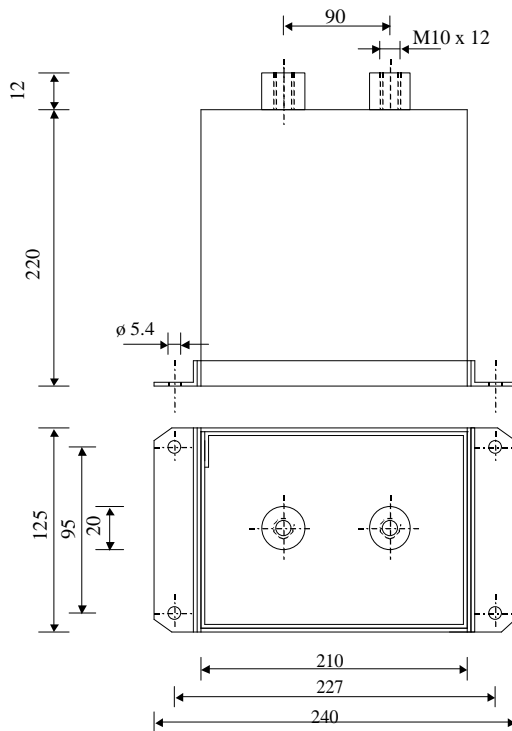


#6223

Discharge Capacitors

PPMF 500-50.0 r J



Dielectric of metallized polypropylene

Threaded outputs

Resin end sealing

Aluminium case
thick 1.2 mm

Parameter	Symbol	Value	Unit	Condition
Capacitance	C	50	μF	1 V / 1 kHz
Tolerance		± 5	%	
Rated voltage	Un DC	5'000	VDC	
Maximum voltage	Us max.	5'320	V	non. rep.
Rated voltage	Un AC	905	Veff	50 Hz
RMS Current	Ieff max	65	Aeff	2 kHz ... 100 kHz
slope of voltage variation	du/dt	16.7	V/ μsec	repetitive
Repetitive surge current	I cr.	835	A	
Tangent delta	tg δ	13	1C ⁴	1 V / 1 kHz
Equivalent serie resistance	ESR	≤ 3.7	m Ω	10 kHz
Stray inductance	ESL	≤ 150	nH	
Insulation resistance	Ri x C	> 20'000	s	500 VDC - 1 min
Test voltage between terminals	U T1	7'500	VDC	10 s
Test voltage between terminals to case	U T2	7'500	VDC	10 s
Operating temp.		- 25 / + 70 °C		
Estimated operational life (-3%)		45'000	h	5000 V / 835 A 5 Hz max / Amb. Temp 55 °C max
Dimension	Symbol	Value	Unit	Conditions
Width	B	125	mm	
Length	L	210	mm	
Height	H	220	mm	
Thread		M10 x 12	mm	
Thread spacing		90	mm	
	M1			
	M0			
	Modification	Date	Visa émetteur	

Condensateurs CH 1400 Yverdon, Switzerland
 Kondensatoren Tel.: +41 24 445 66 88
 Capacitors Fax: +41 24 445 66 89

Leclanché
Capacitors
A FISCHER & TAUSSCHKE COMPANY

HJJ

www.Lcap.ch
 18.10.2013

capinfo@Lcap.ch
 faisab6223.XLS