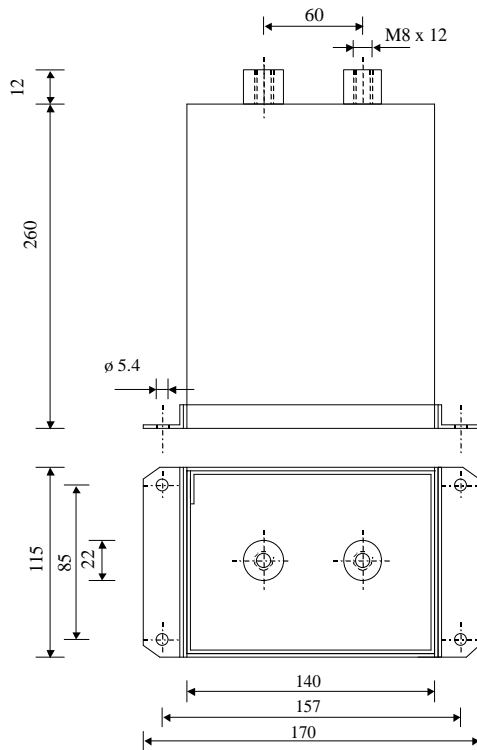


#5493

Discharge Capacitors

PPMF 440-40.0 r J



Dielectric of metallized polypropylene

Threaded outputs

Resin end sealing

Aluminium case
thick 1.2 mm

Parameter	Symbol	Value	Unit	Condition
Capacitance	C	40	μF	1 V / 1 kHz
Tolerance		± 5	%	
Rated voltage	Un DC	4'400	VDC	
Maximum voltage	Us max.	4'800	V	non. rep.
Rated voltage	Un AC	960	Veff	50 Hz
RMS Current	Ieff max	81	Aeff	2 kHz ... 100 kHz
slope of voltage variation	du/dt max.	26.3	V/ μsec	max. repetitive
Repetitive surge current	I cr. max	1050	A	
Tangent delta	tg δ	13	10 ⁻⁴	1 V / 1 kHz
Equivalent serie resistance	ESR	≤ 4.3	m Ω	10 kHz
Stray inductance	ESL	≤ 250	nH	
Insulation resistance	Ri x C	$> 20'000$	s	500 VDC - 1 min
Test voltage between terminals	U T1	7'040	VDC	10 s
Test voltage between terminals to case	U T2	7'040	VDC	10 s
Operating temp.		- 25 / + 70 °C		
Estimated operational life (-3%)		45'000	h	4400 V / 1050 A 45 Hz max / Amb. Temp 55 °C max

Dimension	Symbol	Value	Unit	Conditions
Width	B	115	mm	
Length	L	140	mm	
Height	H	260	mm	
Thread		M8 x 12	mm	
Thread spacing		60	mm	

	M1			
	M0	28.04.2008	HJJ	
	Modification	Date	Visa émetteur	

Condensateurs CH 1400 Yverdon-les-Bains
 Kondensatoren Tel.: +41 24 445 66 88
 Capacitors Fax: +41 24 445 66 89

Le Janché
Capacitors
A FISCHER & TAUSSIG COMPANY

HJJ

31.05.2005

faisab5493.XLS