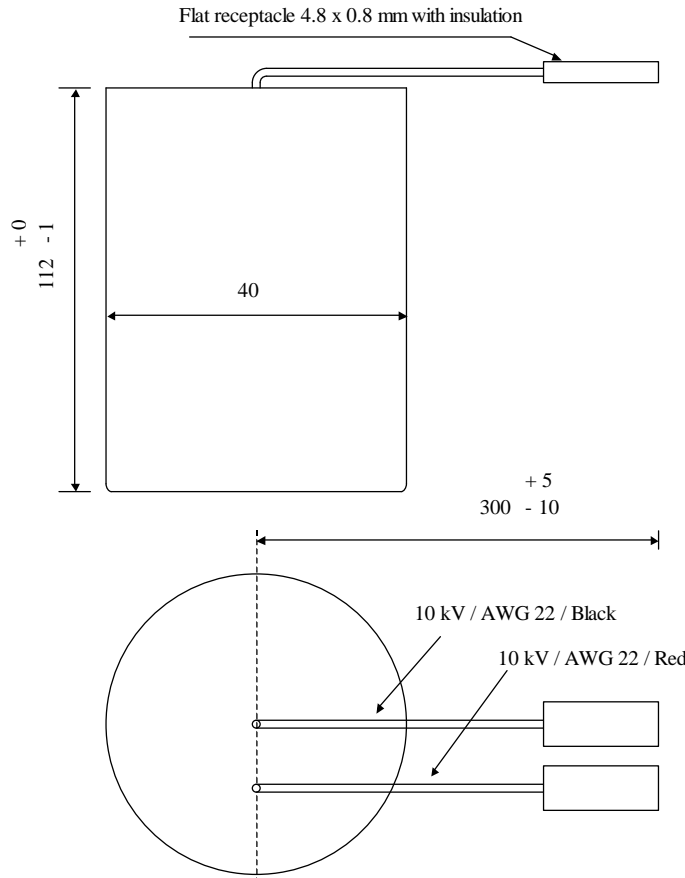


#5749

Defibrillator Capacitor

PPMF 280-60.0 cv3a J



Preliminary
Data Sheet
Must be tested

diélectrique of metallized
polypropylene

polyurethane resin end
sealing

Aluminium case

Capacitors with short-
circuit between the
FASTON terminals

Parameter	Symbol		Value	Unit	Condition
Capacitance	C		60	μF	1 V / 100 Hz
Tolerance			± 5	%	
Rated voltage	Un DC		2800	VDC	
Max peak current	I cr. max		140	A	
Tangente delta	tg δ		100	10^{-4}	1 V / 100 Hz
Insulation resistance between terminals	Ri		> 20	M Ω	2800 VDC - 30 sec.
Test voltage between terminals	U T1		2900	VDC	2 s.
Test voltage terminals to case	U T2		4200	VDC	1 min / $I \leq 2 \mu\text{A}$
Operating temp.			- 0 / + 60 °C		
Estimated operational life(- 7.5 %)			2500 + 500	shocks schocs	2800 V / 50 Ω 2800 V / 27 k Ω
Dimension	Symbol			Unit	Conditions
Diameter	D		40	mm	
Height	H		112		
Terminals					
silicone cable	l		300	mm	
section	s		0.34	mm ²	
Flat receptacle with insulation			4.8 x 0.8	mm	
	M1				
	M0	22.01.2009	HJJ		
	Modification	Date	Visa émetteur		

Condensateurs CH 1401 Yverdon-les-Bains
Kondensatoren Tel.: ++41 24 445 66 88
Capacitors Fax: ++41 24 445 66 89

Le lanché
Capacitors
A FISCHER & TAUSSCHKE COMPANY

HJJ

18.12.2008

faisab5749.XLS