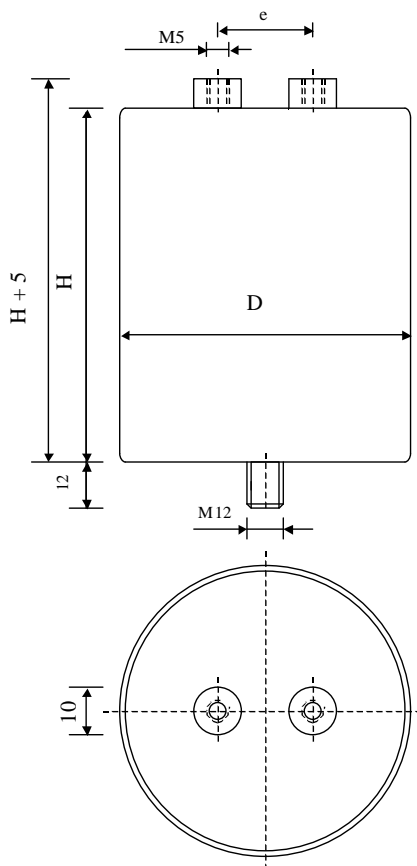


#6216

Discharge capacitors

PPMF 200-8.0 cv6 K



Dielectric of metallized polypropylene

Threaded outputs

Resin end sealing

Aluminium case

Parameter	Symbol	Value	Unit	Condition
Capacitance	C	8	$\mu\text{F}$	1 V / 1 kHz
Tolerance		$\pm 10$	%	
Rated voltage	$U_n \text{ DC}$	2000	VDC	
Rated voltage	$U_n \text{ AC}$	660	VAC	50 Hz to 300 Hz
RMS Current permanent	$I_{\text{eff max.}}$	25	Aeff	10 kHz to 100 kHz
Repetitive surge current	$I_{\text{cr. max}}$	1040	A	
Tangent delta	$\text{tg}\delta$	$\leq 5$	$10^{-4}$	1 V / 1 kHz
Equivalent serie resistance	ESR	$< 4.0$	$\text{m}\Omega$	1 V / 10 kHz
Stray inductance	ESL	$\leq 110$	nH	
Insulation resistance	$R_i \times C$	$\geq 20'000$	s	500 VDC - 1 min
Test voltage between terminals	$U_{T1}$	2500	VDC	10 s
Test voltage terminals to case	$U_{T2}$	3000	VAC	50 Hz / 1 min
Operating temp.		$- 25 / + 70 \text{ }^\circ\text{C}$		
Estimated operational life		$> 5 \text{ M}$	Pulses	2000 V / 1040 A
Dimension	Symbol		Unit	Conditions
Diameter	D	60	mm	
Height	H	88	mm	
Terminals				
Thread		M5 x 8	mm	
Thread spacing	e	$24 \pm 0.5$	mm	
Fixing stud		M12 x 12	mm	
	M1			
	M0			
	Modification	Date	Visa émetteur	

Condensateurs CH 1400 Yverdon, Switzerland  
 Kondensatoren Tel.: ++41 24 447 22 82  
 Capacitors Fax: ++41 24 447 22 85

**Lecdanché**  
**Capacitors**  
A FISCHER & ZAUSCHKE COMPANY

HJJ

www.Lcap.ch  
19.09.2013capinfo@Lcap.ch  
faisab6216.XLS