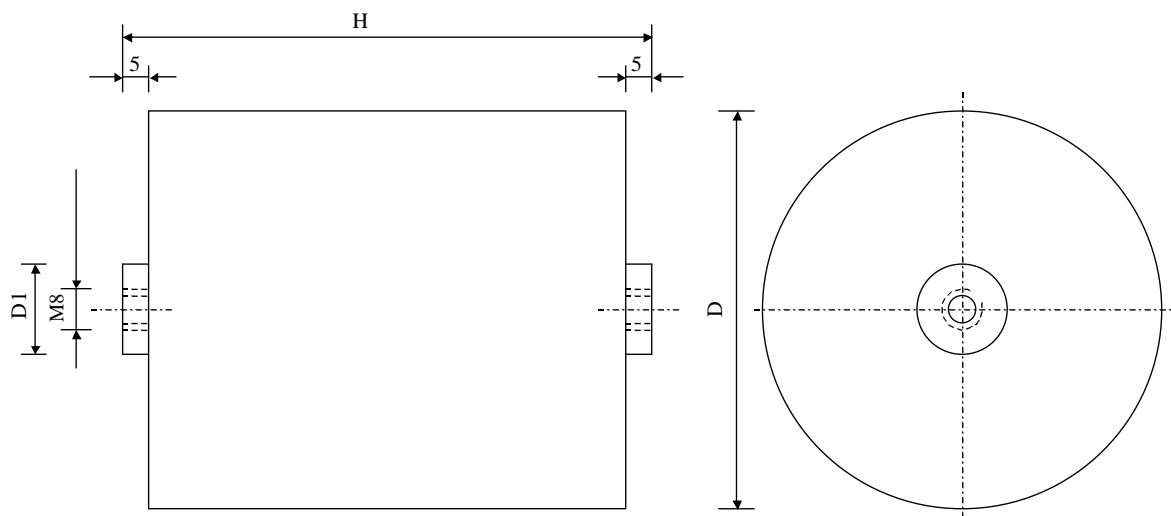


#6068

Discharge CAPACITORS

PPMF 1000-20.0  $\mu$ v K

Dielectric of metallized polypropylene - Plastic tube

Polyurethane resin end sealing - Threaded outputs

Parameter	Symbol		Value	Unit	Condition
Capacitance	C		20	$\mu$ F	1 V / 1 kHz
Tolerance			$\pm 10$	%	
Rated Voltage	$U_n$ DC		10	kVDC	
Peak current	$I_p$		5	kA	
Tangent delta	$tg\delta$		$< 25$	$10^{-4}$	1 kHz
Stray inductance	ESL		$< 25$	nH	
Insulation resistance	$R_i \times C$		$> 20'000$	s	500 VDC - 1 min
Test voltage between terminals	$U_{T1}$		13	kVDC	1 min.
Climatic category (IEC68)			25/70/56		
Estimated operational life			$> 8'000'000$	discharges	10 kV / 5 kA / 50°C
Time between dsicharge			40	s	
Dimension	Symbol			Unit	Conditions
Diameter	$\varnothing D$		140	mm	
Height	H		$161 \pm 1.0$	mm	
Terminals					
Thread			M8 x 8	mm	
	D1		22	mm	
	M1				
	M0				
	Modification	Date	Visa émetteur		

Condensateurs  
Kondensatoren  
Capacitors

CH 1400 Yverdon, Switzerland  
Tel.: ++41 24 445 66 88  
Fax: ++41 24 445 66 89

**Leclanché**  
**Capacitors**  
A FISCHER & SAUSCHIE COMPANY

HJJ

www.Lcap.ch  
21.11.2011

capinfo@Lcap.ch  
faisab6068.XLS