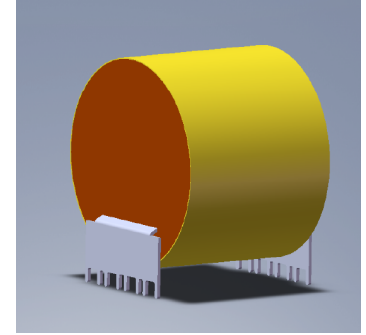
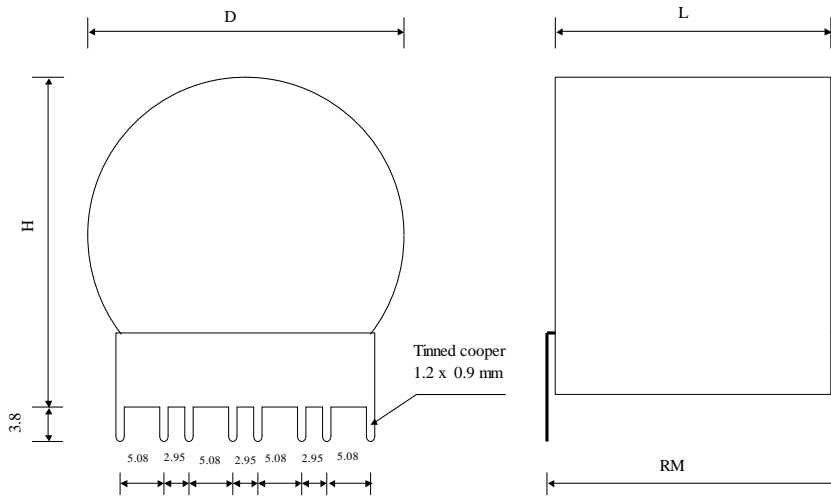


#5935

METALLIZED POLYPROPYLENE CAPACITORS

PPMCI 100-4.0 K



Dielectric of metallized polypropylene

Polyester wrapped flammability UL 510 / Epoxy resin sealing UL 94-V0

Terminals for connection to Printed Circuit Board

Parameter	Symbol		Value	Unit	Condition
Capacitance	C		4	$\mu\text{F}$	1 V / 1 kHz
Tolerance			$\pm 10$	%	
Rated voltage	Un DC		1000	VDC	
Rated voltage	Un AC		480	Veff	50 Hz to 1 kHz
RMS current permanent	Ieff max.		28	Aeff	35 kHz / 45°C
Operating conditions Temp. Amb. 45°C	I RMS	35 kHz	35	Aeff	15 s. ON / 60 s. OFF
slope of voltage variation	du/dt max.		400	V/ $\mu$ sec	
Tangent delta	tg $\delta$		< 5	$10^{-4}$	1 V / 1 kHz
Equivalent series resistance	ESR		< 3.0	m $\Omega$	1 V / 10 kHz
Stray inductance	ESL		$\leq 18$	nH	
Insulation resistance	Ri		> 5'000	M $\Omega$	500 VDC - 1 min
Test voltage between terminals	U T1		2000	VDC	10 s
Climatic category			40/105/56		
Estimated operational life (-3%)			> 100'000	h	Un DC / 70°C

Dimension	Symbol		Value	Unit	Conditions
Diameter	D max		44	mm	
Length	L max		35	mm	
Height	H max		45	mm	
Terminals					
Tinned cooper	(8 x)		1.2 x 0.9	mm	
RM			39 $\pm$ 0.5	mm	
	M1				
	M0	10.08.2010	HJJ		
	Modification	Date	Visa émetteur		

Condensateurs CH 1400 Yverdon, Switzerland  
 Kondensatoren Tel.: ++41 24 445 66 88  
 Capacitors Fax: ++41 24 445 66 89

**Lecan**  
**Capacitors**  
A FISCHER & TAUSSCH COMPANY

HJJ

www.Lcap.ch  
 01.06.2010

capinfo@Lcap.ch  
 faisab5935.XLS

