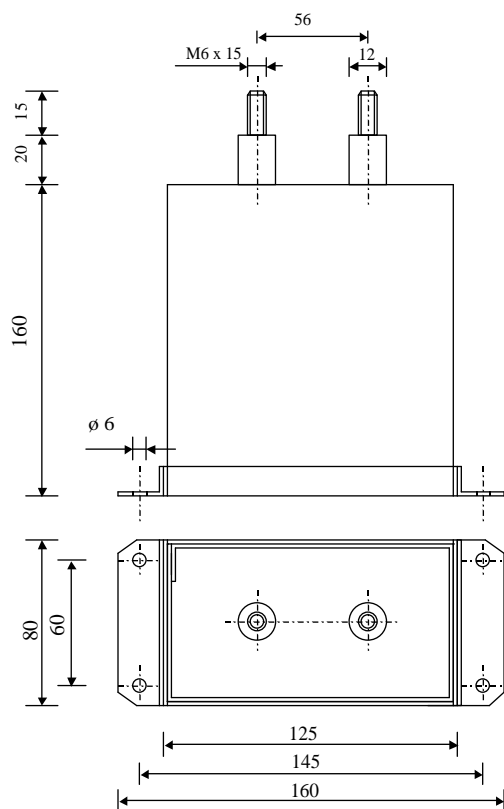


#5713

Metallized polypropylene capacitors

PPM 800-050 r K



Dielectric of metallized polypropylene

Threaded outputs

Resin end sealing

Aluminium case thick 1.2 mm

Parameter	Symbol	Value	Unit	Condition
Capacitance	C	0.5	μF	1 V / 1 kHz
Tolerance		± 10	%	
Rated voltage	Un DC	8'000	VDC	
Rated voltage	Un AC	1800	Veff	50 to 1000 Hz
RMS Current	Ieff max	20	Aeff	10 kHz to 100 kHz
slope of voltage variation	du/dt max.	1000	V/ μsec	max. repetitive
Repetitive surge current	I cr. max	500	A	
Tangent delta	tg δ	6	10^{-4}	1 V / 1 kHz
Equivalent serie resistance	ESR	≤ 22	m Ω	10 kHz
Stray inductance	ESL	≤ 250	nH	
Insulation resistance	Ri x C	$> 20'000$	s	500 VDC - 1 min
Test voltage between terminals	U T1	16'000	VDC	10 s
Test voltage between terminals to case	U T2	16'000	VDC	10 s
Operating temp.		- 25 / + 70 °C		
Estimated operational life (-3%)		100'000	h	Un DC / 70°C

Dimension	Symbol	Value	Unit	Conditions
Width	B	80	mm	
Length	L	125	mm	
Height	H	160	mm	
Thread		M6 x 15	mm	
Thread spacing		56	mm	
	M1			
	M0	31.03.2008	HJJ	
	Modification	Date	Visa émetteur	

Condensateurs CH 1400 Yverdon-les-Bains
 Kondensatoren Tel.: ++41 24 445 66 88
 Capacitors Fax: ++41 24 445 66 89

Le lanché
Capacitors
A FISCHER & TARGHEE COMPANY

HJJ

28.03.2008

faisab5713.XLS