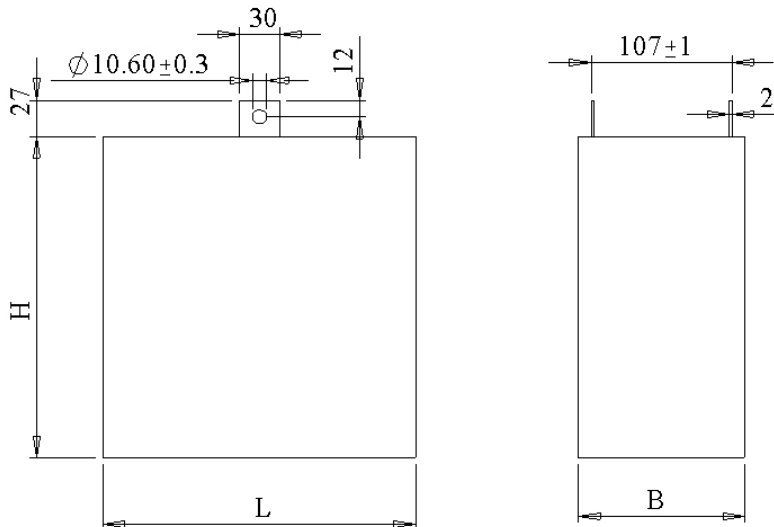
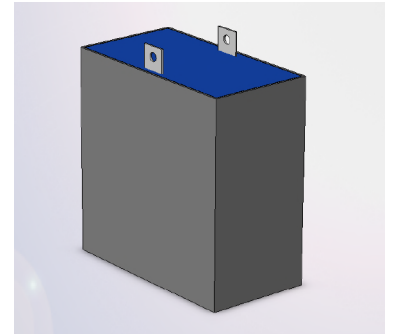
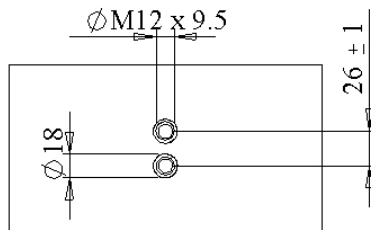


#6090

METALLIZED POLYPROPYLENE CAPACITORS

PPM 80-2x500.0 ru K

Dielectric
metallized polypropylene

Plastic case ABS

Polyurethane resin sealing

Parameter	Symbol		Value	Unit	Condition
Capacitance	C	(2 x)	500.0	µF	1 V / 1 kHz
Tolerance			± 10	%	
Rated voltage	UN DC		800	VDC	
Stray inductance	ESL		≤ 50	nH	
Tangent delta	tgδ		< 17	10 ⁻⁴	1 V / 1 kHz
Equivalent serie resistance	ESR		0.7	mΩ	1 V / 10 kHz
Impulse current	I cr.	8 / 20 µs	10	kA	max.
	I²t		1500	A²s	
Insulation resistance	Ri		> 60	MΩ	500 VDC - 1 min
Test voltage between terminals	U T		1420	VDC	10 s
Operating Temperature			-40 / + 85	°C	
Dimension	Symbol			Unit	Conditions
Width	B		125	mm	
Height	H		240	mm	
Length	L		235	mm	
Terminals			30 x 2.0	mm	
	M1				
	M0				
	Modification	Date	Visa émetteur		

Condensateurs CH 1400 Yverdon, Switzerland

Kondensatoren Tel.: ++41 24 445 66 88

Capacitors Fax: ++41 24 445 66 89

Leclanché
Capacitors
A FISCHER & TAUSSCHKE COMPANY

HJJ

www.Lcap.ch

22.03.2012

capinfo@Lcap.ch

faisab6090.XLS