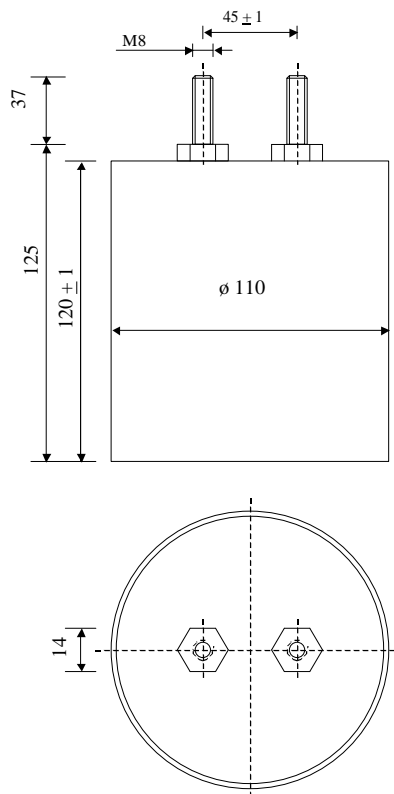


#5901

METALLIZED POLYPROPYLENE CAPACITORS

PPM 63-255.0 u5 K



Dielectric of metallized polypropylene

Threaded outputs

Resin end sealing

Plastic case

Parameter	Symbol	Value	Unit	Condition
Capacitance	C	255	μF	1 V / 1 kHz
Tolerance		± 10	%	
Rated voltage	Un DC	630	VDC	
Rated voltage	Un AC	123	VAC	100 Hz / 40 °C
RMS Current permanent	I _{eff max.}	20	A _{eff}	10 kHz
Repetitive surge current	I _{cr. max}	2500	A	
Tangent delta	tgδ	≤ 85	10 ⁻⁴	1 V / 1 kHz
Equivalent serie resistance	ESR	5	mΩ	1 V / 10 kHz
Stray inductance	ESL	≤ 120	nH	
Insulation resistance	R _i x C	≥ 20'000	s	500 VDC - 1 min
Test voltage between terminals	U T1	1200	VDC	10 s
Test voltage terminals to case	U T2	2500	VAC	50 Hz / 1 min
Climatic category		27/70/56		
Estimated operational life (-5 %)		> 100'000	h	Un DC / 70°C
Dimension	Symbol		Unit	Conditions
Diameter	D	110	mm	
Height	H	120	mm	
Terminals				
Thread		M8 x 37	mm	
Thread spacing	e	45	mm	
	M1			
	M0			
	Modification	Date	Visa émetteur	

Condensateurs CH 1400 Yverdon-les-Bains
 Kondensatoren Tel.: ++41 24 447 22 82
 Capacitors Fax: ++41 24 447 22 85

Le Janché
Capacitors
A FISCHER & TALECHÉ COMPANY

HJJ

11.02.2010

faisab5901.XLS