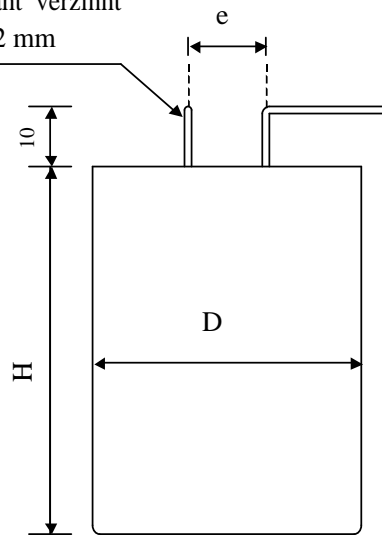


#5721

METALLIZED POLYPROPYLENE CAPACITORS

PPM 63-071 c3 G

Küpf Draht verzinkt

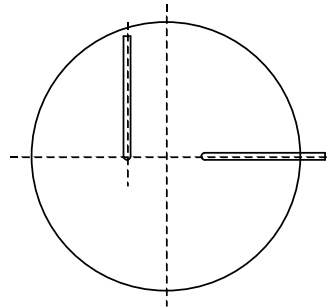
 $\varnothing 1.2 \text{ mm}$ 

Preliminary

Dielectric of metallized  
polypropylene

Resin end sealing

Aluminium case



Parameter	Symbol	Value	Unit	Condition
Capacitance	C	0.71	$\mu\text{F}$	1 V / 1 kHz
Tolerance		$\pm 2$	%	
Rated voltage	Un DC	630	VDC	
Rated voltage	Un AC	250	VAC	
Slope of voltage variation	du/dt max.	150	V/ $\mu\text{s}$	max. repetitive
Repetitive surge current	I cr. max	107	A	
Tangent delta	tg $\delta$	$\leq 4$	$10^{-4}$	1 V / 1 kHz
Equivalent serie resistance	ESR	15	m $\Omega$	1 V / 10 kHz
Stray inductance	ESL	$\leq 50$	nH	
Insulation resistance	Ri x C	$\geq 20'000$	s	100 VDC - 1 min
Test voltage between terminals	U T1	625	VAC	50 Hz / 2 sec.
Test voltage terminals to case	U T2	2500	VAC	50 Hz / 2 sec.
Climatic category		40/85/56		
Estimated operational life (-3%)		100'000	h	Un DC - 70°C

Dimension	Symbol	Value	Unit	Condition
Diameter	D	30	mm	
Height	H	40	mm	
Terminals				
Lead	$\varnothing$	1.2	mm	
Thread spacing	e	$10.0 \pm 2$	mm	
	M1			
	M0			
	Modification	Date	Visa émetteur	

Condensateurs CH 1400 Yverdon-les-Bains  
 Kondensatoren Tel.: ++41 24 445 66 88  
 Capacitors Fax: ++41 24 445 66 89

**Le Janché**  
**Capacitors**  
A FISCHER & TALSCHER COMPANY

HJJ

29.04.2008

faisab5721.XLS