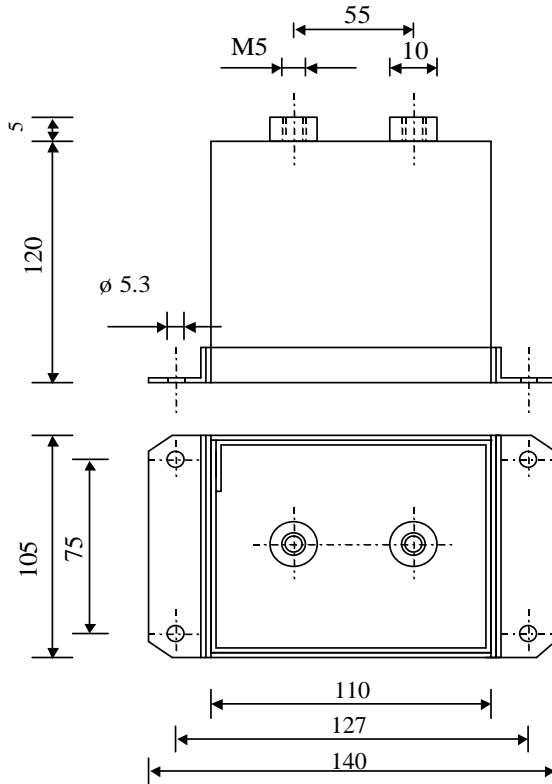


#5359

Metallized polypropylene capacitors

PPM 300-10.0 r K



Dielectric of metallized polypropylene

Threaded outputs

Epoxy resin end sealing

Aluminium case

Parameter	Symbol	Value	Unit	Condition
Capacitance	C	10	μF	
Tolerance		± 10	%	
Rated voltage	Un DC	3000	VDC	
Rated voltage	Un AC	1250	Veff	50 Hz
RMS Current	Ieff	25	Aeff	$f \geq 315$ Hz
slope of voltage variation	du/dt max.	80	V/ μsec	max. repetitive
Repetitive surge current	I cr. max	800	A	
Power loss factor	tg δ	15	10^{-4}	1 V / 1 kHz
Equivalent series resistance	ESR	≤ 20	m Ω	10 kHz
Stray inductance	ESL	≤ 250	nH	
Insulation resistance	Ri x C	$> 10'000$	s	500 VDC - 1 min
Test voltage between terminals	U T1	6000	VDC	10 s
Test voltage terminals to case	U T2	6000	VDC	10 s.
Climatic category		25/70/56		
Estimated operational life (-3%)		100 000	h	Un DC - 70°C
Dimension	Symbol	Value	Unit	Conditions
Width	B	105	mm	
Length	L	110	mm	
Height	H	120	mm	
Thread		M5 x 8	mm	
Thread spacing		55	mm	
	M1			
	M0			
	Modification	Date	Visa émetteur	

Condensateurs CH 1400 Yverdon, Switzerland

Kondensatoren Tel.: +41 24 445 66 88

Capacitors Fax: +41 24 445 66 89

Leclanché
Capacitors
A FRISCHEN & THAUSSCHER COMPANY

289

www.Lcap.ch

18.03.2003

capinfo@Lcap.ch

faisab5359.XLS