

Application: DC/AC capacitor for general use in power electronics
also for nonsinusoidal voltages and currents

Order code: PPM 240-5.0 uv

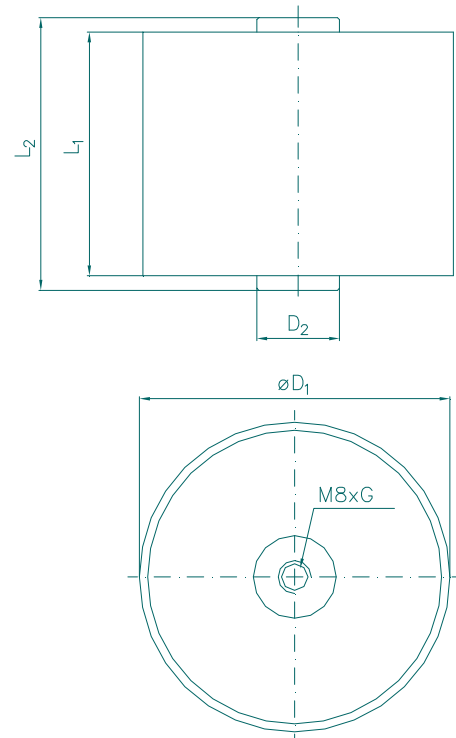
Standards: acc. to IEC 61071:2007

Approval mark: UL810

Characteristics

Rated capacitance	C_N	5 μF ±5%
Rated d.c. voltage	U_{NDC}	2400 V d.c.
Rated a.c. voltage	U_{NAC}	700 V a.c.
Max. rms voltage (sinusoidal)	U_{rms}	500 V
Non-recurrent surge voltage	u_s	3600 V
Rated energy	W_N	14.4 Ws
Maximum current	I_{max}	70 A
Maximum peak current	i	0.8 kA
Maximum surge current	I_s	2.3 kA
Series resistance	R_s	0.76 mΩ
dielectric dissipation factor	tanδ_o	2 × 10 ⁻⁴
Self discharge time const.	C × R_{is}	5000 s
Self-inductance	Le	15 nH

outline drawing



Thermal conditions

Lowest operating temperature	Θ_{min}	-25 °C
Maximum operating temperature	Θ_{max}	85 °C
Storage temperature	Θ_{storage}	-40...+85 °C
Thermal resistance	R_{th}	5.9 K/W
Humidity class		G

failure rate 100 FIT*
reference service life 100000 h
at Θ_{hotspot} ≤70 °C

* See FIT-RATE diagram on pg.3

Test data

Voltage test between terminals	U_{TT}	3600 V DC/10s
--------------------------------	-----------------------	---------------

Dimensions

Rated diameter	D₁	75 (±1) mm
Length of the case	L₁	59 (±1) mm
total Length	L₂	66 (±1) mm
Terminal	G	M8 x 10 mm
Diameter of terminals	D₂	20 mm
Clearance in air	L	114 mm
Creepage distance	K	114 mm

Approx weight 0.35 kg

Mechanical characteristics

Dielectric	metallized polypropylene capacitor, selfhealing
Construction	plastic case with resin moulded winding, UL94: V0
Protection	without internal fuse, to be used only in uncritical environment
Terminals	screw base, inside thread
Impregnant	no liquid impregnants, filled with solidified PUR resin, non PCB
Fire load	14MJ