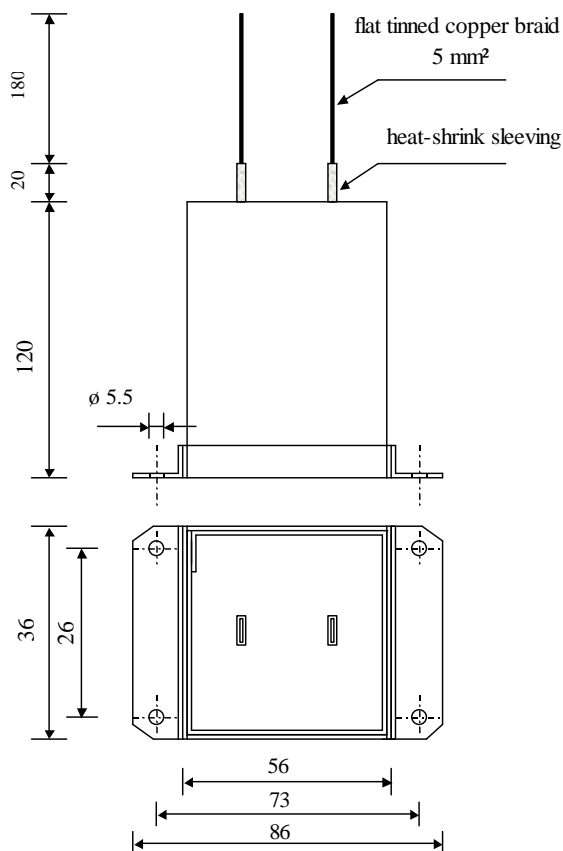


#5766

Tuning Unit Capacitors

PPM 16-87.4 r K

Preliminary
data SheetDielectric of metallized
polypropylene

Resin end sealing

Aluminium case
thick 1.2 mm

Parameter	Symbol	Value	Unit	Condition
Capacitance	C	87.4	μF	1 V / 1 kHz
Tolerance			%	
Rated voltage	Un DC	160	VDC	
Maximum voltage	Us max.		V	
RMS Current	Ieff max	60	Aeff	5.2 to 8.6 kHz
Equivalent serie resistance	ESR	≤ 4	m Ω	6 kHz
Stray inductance	ESL	\leq	nH	
Insulation resistance	Ri x C	$> 20'000$	s	100 VDC - 1 min
Test voltage between terminals	U T1	320	VDC	10 s
Test voltage between terminals to case	U T2	2'500	VAC	1 min

Dimension	Symbol	Value	Unit	Condition
Width	B	36	mm	
Length	L	56	mm	
Height	H	120	mm	
Output		2 x 5.0	mm ²	
	M1			
	M0			
	Modification	Date	Visa émetteur	

Condensateurs CH 1400 Yverdon-les-Bains
 Kondensatoren Tel.: ++41 24 445 66 88
 Capacitors Fax: ++41 24 445 66 89

Le lanché
Capacitors
A FISCHER & TALSCHER COMPANY

HJJ

18.11.2008

faisab5766.XLS