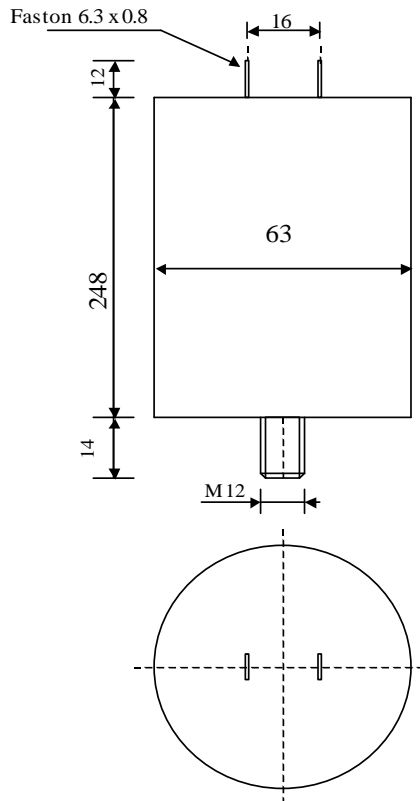


#5779

METALLIZED POLYPROPYLENE CAPACITORS

PAM 90-33.0 uv2 K



Dielectric of metallized polypropylene

FAST-ON 6.3 x 0.8 mm

Polyurethane resin end sealing

Plastic tube

Parameter	Symbol	Value	Unit	Condition
Capacitance	C	33	$\mu\text{F}$	1 V / 1 kHz
Tolerance		$\pm 10$	%	
Rated voltage	Un AC	900	VAC	50Hz
RMS Current	I <sub>eff</sub> max.	20	A <sub>eff</sub>	500 Hz to 10 kHz
slope of voltage variation	du/dt max.	22	V/ $\mu\text{sec}$	max. repetitive
Repetitive surge current	I <sub>cr.</sub> max	726	A	
Tangent delta	tg $\delta$	$\leq 37$	$10^{-4}$	1 V / 1 kHz
Equivalent serie resistance	ESR	$< 17$	m $\Omega$	1 V / 10 kHz
Stray inductance	ESL	$\leq 150$	nH	
Insulation resistance	R <sub>i</sub>	$> 910$	M $\Omega$	300 VDC - 1 min
Test voltage between terminals	U T1	3870	VDC	10 s
Test voltage terminals to case	U T2	3000	VAC	50 Hz / 1 min
Climatic category		25/70/56		
Estimated operational life (-3%)		30'000	h	Un AC / 70°C
Dimension	Symbol		Unit	Conditions
Diameter	D	63	mm	
Height	H	248	mm	
Terminals				
fast-on		6.3 x 0.8	mm	
fixing stud		M12 x 14	mm	
	M1			
	M0			
	Modification	Date	Visa émetteur	

Condensateurs CH 1400 Yverdon-les-Bains  
 Kondensatoren Tel.: ++41 24 445 66 88  
 Capacitors Fax: ++41 24 445 66 89

**Le laniché**  
**Capacitors**  
A FISCHER & TESSIGHE COMPANY

HJJ

19.01.2009

faisab5779.XLS