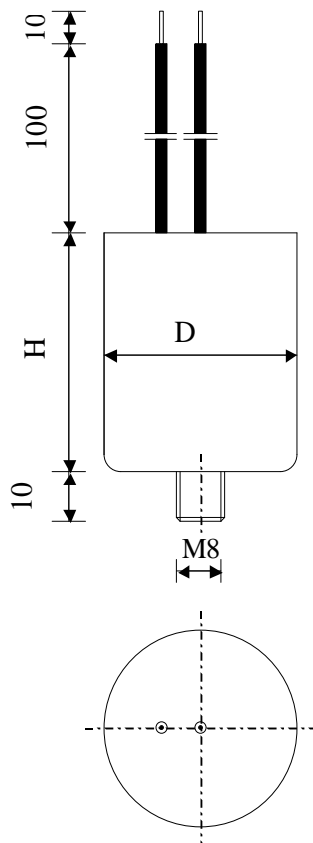


#5838

METALLIZED POLYPROPYLENE CAPACITORS

PAM 45-1.6 cv3 K



Dielectric of metallized polypropylene

Polyurethane resin end sealing

Aluminium case

Parameter	Symbol	Value	Unit	Condition
Capacitance	C	1.6	μF	1 V / 1 kHz
Tolerance		± 10	%	
Rated voltage	Un AC	450	VAC	50Hz to 100 Hz
RMS Current	I _{eff max.}	8	A _{eff}	10 kHz
slope of voltage variation	du/dt max.	220	V/ μsec	max. repetitive
Repetitive surge current	I cr. max	352	A	
Tangent delta	tg δ	≤ 5	10^{-4}	1 V / 1 kHz
Equivalent serie resistance	ESR	14	m Ω	1 V / 10 kHz
Stray inductance	ESL	≤ 150	nH	
Insulation resistance	Ri	$> 12'500$	M Ω	100 VDC - 1 min
Test voltage between terminals	U T1	1935	VDC	10 s
Test voltage terminals to case	U T2	2500	VAC	50 Hz / 1 min
Climatic category		40/85/56		
Estimated operational life (-3%)		30'000	h	Un AC / 70°C
Dimension	Symbol		Unit	Conditions
Diameter	D	30	mm	
Height	H	46	mm	
Terminals				
Cable	l	100	mm	
section	s	0.5	mm ²	
fixing stud		M8 x 10	mm	
	M1			
	M0			
	Modification	Date	Visa émetteur	

Condensateurs CH 1400 Yverdon-les-Bains
 Kondensatoren Tel.: ++41 24 445 66 88
 Capacitors Fax: ++41 24 445 66 89

Le Janché
Capacitors
A FISCHER & TAUSSIG COMPANY

HJJ

19.08.2009

faisab5838.XLS