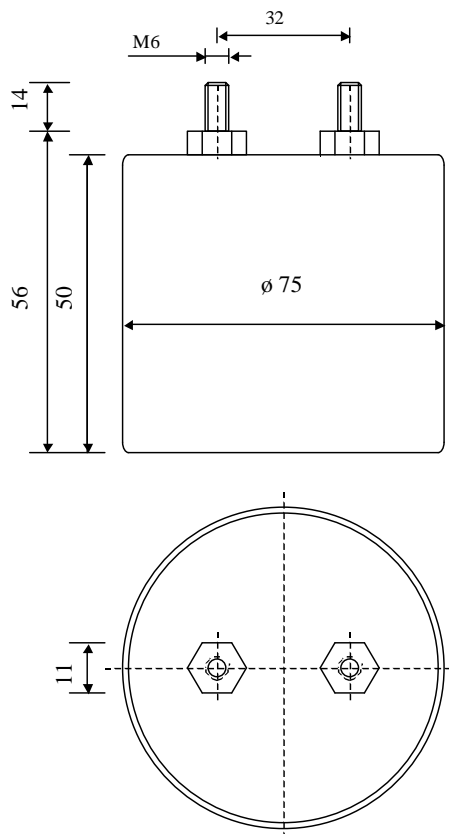


#5780

METALLIZED POLYPROPYLENE CAPACITORS

PAM 16-40.0 c5 K

Preliminary  
data sheetDielectric of metallized  
polypropylene

Threaded outputs

Resin end sealing

Aluminium case

Parameter	Symbol	Value	Unit	Condition
Capacitance	C	40	$\mu\text{F}$	1 V / 1 kHz
Tolerance		$\pm 10$	%	
Rated voltage	V	160	VAC	50 Hz to 1 kHz
RMS Current	$I_{\text{eff}}$	40	A <sub>eff</sub>	1 kHz
Tangent delta	$\text{tg}\delta$	$\leq 3.4$	$10^{-4}$	1 V / 1 kHz
Equivalent serie resistance	ESR	$< 1.4$	$\text{m}\Omega$	1 V / 1 kHz
Stray inductance	ESL	$\leq 50$	nH	
Insulation resistance	$R_i \times C$	$\geq 30'000$	s	500 VDC - 1 min
Test voltage between terminals	U T1	800	VDC	10 s
Test voltage terminals to case	U T2	2500	VAC	50 Hz / 1 min
Climatic category		27/70/56		
Estimated operational life (-5 %)		30'000	h	40 A <sub>eff</sub> / 1 kHz / Temp. amb $\leq 65^\circ\text{C}$

Dimension	Symbol	Value	Unit	Conditions
Diameter	D	75	mm	
Height	H	50	mm	
Terminals				
Thread		M6 x 14	mm	
Thread spacing	e	32	mm	
	M1			
	M0			
	Modification	Date	Visa émetteur	

Condensateurs CH 1400 Yverdon-les-Bains  
 Kondensatoren Tel.: ++41 24 447 22 82  
 Capacitors Fax: ++41 24 447 22 85

**Le Janché**  
**Capacitors**  
A FISCHER & FAUBOIS COMPANY

HJJ

21.01.2009

faisab5780.XLS