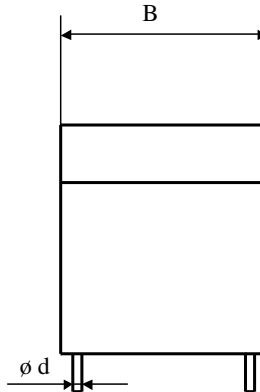
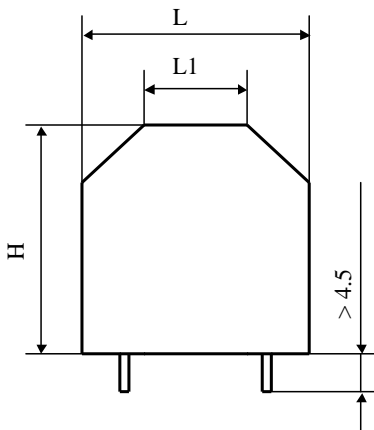
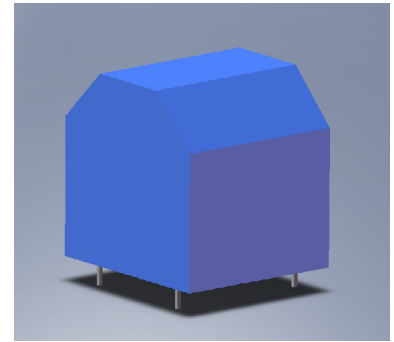
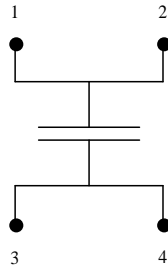
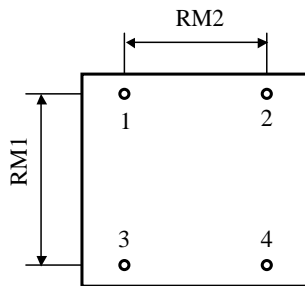


#6143

HIGH TEMPERATURE CAPACITORS

MKNJC-4 27-26.6 g K



Dielectric: PEN metallized

Printed circuit board  
mountingSelf-extinguishing plastic  
housing

Epoxy resin sealing

| Parameter                      | Symbol       | Value     | Unit            | Condition       |
|--------------------------------|--------------|-----------|-----------------|-----------------|
| Capacitance                    | C            | 26.6      | µF              | 1 V / 1 kHz     |
| Tolerance                      |              | ± 10      | %               |                 |
| Rated voltage                  | Un DC        | 270       | VDC             | 125°C           |
| RMS current                    | I RMS max.   | 3.33      | Aeff            | 125°C           |
| Slope of voltage variation     | du/dt max.   | 15        | V/µsec          | max. repetitive |
| Repetitive surge current       | I cr. max    | 400       | A               |                 |
| Tangent delta                  | tgδ          | ≤ 46      | 1C <sup>4</sup> | 1 kHz / 23 °C   |
| Stray inductance               | ESL          | ≤ 15      | nH              |                 |
| Insulation resistance          | Ri x C       | > 12'000  | s               | 100 VDC - 1 min |
| Test voltage between terminals | U T1         | 480       | VDC             | 10 s            |
| Climatic category              |              | 40/125/56 |                 |                 |
|                                |              |           |                 |                 |
|                                |              |           |                 |                 |
| Dimension                      | Symbol       | Value     | Unit            | Conditions      |
| Width                          | B            | 36        | mm              |                 |
| Length                         | L            | 40        | mm              |                 |
|                                | L1           | 18        | mm              |                 |
| Height                         | H            | 40        | mm              |                 |
| Terminals tinned wire          | ø d          | 1.2       | mm              |                 |
| RM1                            |              | 30 ± 0.5  | mm              |                 |
| RM2                            |              | 25 ± 0.5  | mm              |                 |
|                                |              |           |                 |                 |
|                                | M1           |           |                 |                 |
|                                | M0           |           |                 |                 |
|                                | Modification | Date      | Visa émetteur   |                 |

Condensateurs CH 1400 Yverdon, Switzerland  
 Kondensatoren Tel.: ++41 24 445 66 88  
 Capacitors Fax: ++41 24 445 66 89

**Leclanché**  
**Capacitors**  
A FISCHER & SONNENSHINE COMPANY

HJJ

www.Lcap.ch  
 14.12.2012

capinfo@Lcap.ch  
 faisab6143.XLS