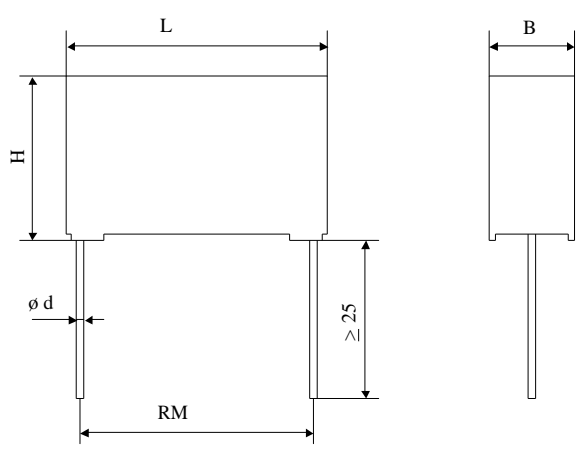


# 5532	METALLIZED POLYPROPYLENE + FILM-FOIL CAPACITORS	TYPE KPS 180-150 g J
--------	--	-------------------------



Dielectric: Polypropylene metallized + film-foil

Self-extinguishing plastic housing / Epoxy resin sealing

Paramètre	Symbol	Value	Unit	Condition
Capacitance	C	50	nF	20°C, 1 kHz
Tolérance		5	%	
Rated voltage	Un DC	1'800	VDC	
Rated voltage	Un AC	500	VAC	
RMS Current	I <sub>eff</sub> max.	7	A <sub>eff</sub>	f > 70 kHz
Slope of voltage variation	du/dt max.	3'400	V/μs	max. repetitive
Repetitive surge current	I <sub>cr</sub> max	170	A	max. repetitive
Tangent delta	tgδ	≤ 3.0 E-4		1 V / 10 kHz / 20 °C
Stray inductance	ESL	≤ 25	nH	
Insulation resistance	Ri	> 100'000	MΩ	100 VDC - 1 min
Test voltage between terminals	U T1	3'000	VDC	10 s.
Climatic category		55/85/56		
Estimated operational life (-3 %)		100'000	h	Un / 70°C

Dimension	Symbole	Value	Unité	Conditions
Width	B	16	mm	
Height	H	26	mm	
Length	L	31.5	mm	
Terminals				
Axial tinned wire	d	ø 1.0 x 25	mm	
	RM	27.5	mm	

Tentatives Values only, subject to technical modification	M2			
	M1			
	M0			
	Modification	Date	Visa émetteur	