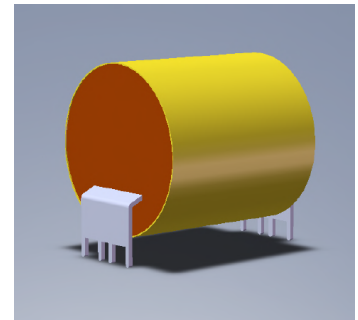
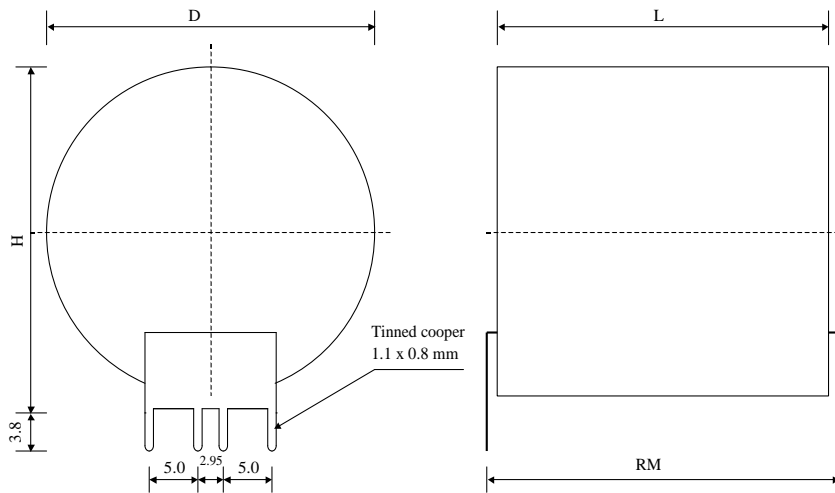


#6039

HIGH VOLTAGE METALLIZED CAPACITORS

PPMHT 800-147 CI K



Dielectric of metallized polypropylene

Polyester wrapped flammability UL 510 / Epoxy resin sealing UL 94-V0

Terminals for connection to Printed Circuit Board

Parameter	Symbol	Value	Unit	Condition
Capacitance	C	0.047	$\mu\text{F}$	1 V / 1 kHz
Tolerance		$\pm 10$	%	
Rated voltage	Un DC	8000	VDC	
Rated voltage	Un AC	1200	Veff	50 Hz to 400 Hz
RMS current permanent	Ieff max	2.9	Aeff	10 kHz
slope of voltage variation	du/dt max.	2000	V/ $\mu\text{sec}$	
Tangent delta	tg $\delta$	< 3	$10^{-4}$	1 V / 1 kHz
Tangent delta	tg $\delta$	2.7	$10^{-4}$	1 V / 10 kHz
Stray inductance	ESL	$\leq 18$	nH	
Insulation resistance	Ri	> 100'000	M $\Omega$	500 VDC - 1 min
Test voltage between terminals	U T1	12800	VDC	1 min.
Operating temp.		- 40 / + 85°C		
Estimated operational life (-3%)		> 100'000	h	Un DC / 70°C
Dimension	Symbol	Value	Unit	Conditions
Diameter	D max	27.5	mm	
Length	L max	48	mm	
Height	H max	28.5	mm	
Terminals				
Tinned cooper	( 4 x )	1.1 x 0.8	mm	
RM		52 $\pm$ 0.5	mm	
Mass approx.	m	34	g	
	M1			
	M0			
	Modification	Date	Visa émetteur	

Condensateurs CH 1400 Yverdon, Switzerland  
 Kondensatoren Tel.: ++41 24 445 66 88  
 Capacitors Fax: ++41 24 445 66 89

**Leclanché**  
**Capacitors**  
A FISCHER & TAUSSCHKE COMPANY

HJJ

www.Lcap.ch  
 01.09.2011

capinfo@Lcap.ch  
 faisab6039.XLS