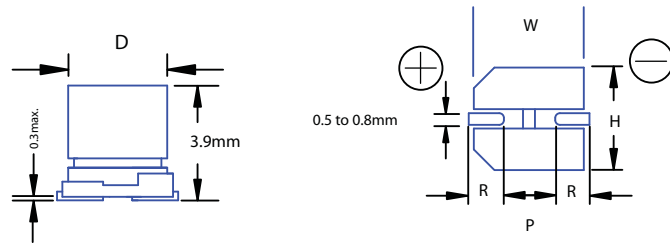


FEATURES

- LOW PROFILE 3.9mm HEIGHT
- SMALL SIZES
- LIFE UP TO 1000Hrs @ 105C
- DESIGNED FOR AUTOMATIC MOUNTING
- SOLVENT RESISTANT



PART NUMBERING

Part Number Example: **MXWP-025/220M6X3TR13FG**

MXWP	-	025	/	220	M	6X3	TR	13	F	G
Type	Rated DC Voltage	Capacitance Code (μF)*	Tolerance Code	Size	Package Code**	Reel Size	RoHs Compliant	pb Free		

* Capacitance Code: First two digits represent significant figure, third digit represents multiplier (number of zeros).
** Package Code: TR = Tape & Reel.

SPECIFICATIONS

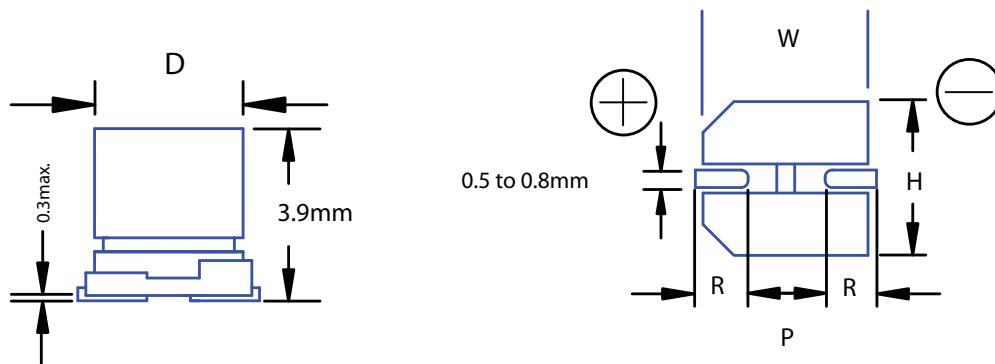
Performance Characteristics							
Operating Temperature Range	-40°C ~ +105°C.						
Voltage Range	6.3VDC ~ 50VDC.						
Capacitance Range	1.0μF ~ 100μF.						
Capacitance Tolerance	±20%.						
Maximum Dissipation Factor (20°C, 120Hz)	Rated Voltage (WVDC)	6.3	10	16	25	35	50
	DF%	38	32	20	16	14	14
Maximum Leakage Current (20°C) (after 2 minutes)	0.01CV.						
Load Life Test (85°C, 1000 hours)	Capacitance Change	Within ±30% of initial measured value.					
	DF%	Less than 300% of specified value.					
	Leakage Current	Within maximum specified value.					

STANDARD PRODUCT TABLE (dØ X L(mm))

Cap. (μF)	WVDC					
	6.3	10	16	25	35	50
1.0						5 x 3.9
2.2						5 x 3.9
3.3						5 x 3.9
4.7				5 x 3.9	5 x 3.9	5 x 3.9
10			5 x 3.9	5 x 3.9	5 x 3.9	6.3 x 3.9
22	5 x 3.9	5 x 3.9	6.3 x 3.9	6.3 x 3.9	6.3 x 3.9	
33	5 x 3.9	6.3 x 3.9	6.3 x 3.9	6.3 x 3.9		
47	6.3 x 3.9	6.3 x 3.9	6.3 x 3.9			
68	6.3 x 3.9					
100	6.3 x 3.9					

MAXIMUM RIPPLE (mA rms @ 120Hz & 105°C)

Cap. (μF)	WVDC					
	6.3	10	16	25	35	50
1.0						18
2.2						29
3.3						18
4.7				25	30	29
10			35	45	50	49
22	33	40	50	50	60	
33	40	60	55	60		
47	60	70	55			
68	70					
100	85					



DIMENSIONS (mm)

$D +0.5$	$W \pm 0.2$	$H \pm 0.2$	R	$P \pm 0.2$
5.0	5.3	5.3	2.1 ~ 2.5	1.4
6.3	6.6	6.6	2.35 ~ 2.75	2.2