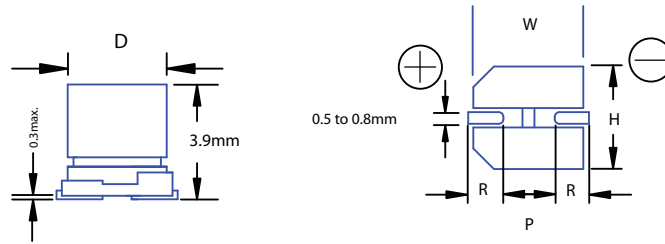


FEATURES

- LOW PROFILE 3.9mm HEIGHT
- SMALL SIZES
- LIFE UP TO 1000Hrs @ 85C
- DESIGNED FOR AUTOMATIC MOUNTING
- SOLVENT RESISTANT



PART NUMBERING

Part Number Example: **MXWM-025/220M6X3TR13FG**

MXWM	-	025	/	220	M	6X3	TR	13	F	G
Type		Rated DC Voltage		Capacitance Code (μF)*	Tolerance Code	Size	Package Code**	Reel Size	RoHs Compliant	pb Free

* Capacitance Code: First two digits represent significant figure, third digit represents multiplier (number of zeros).
** Package Code: TR = Tape & Reel.

SPECIFICATIONS

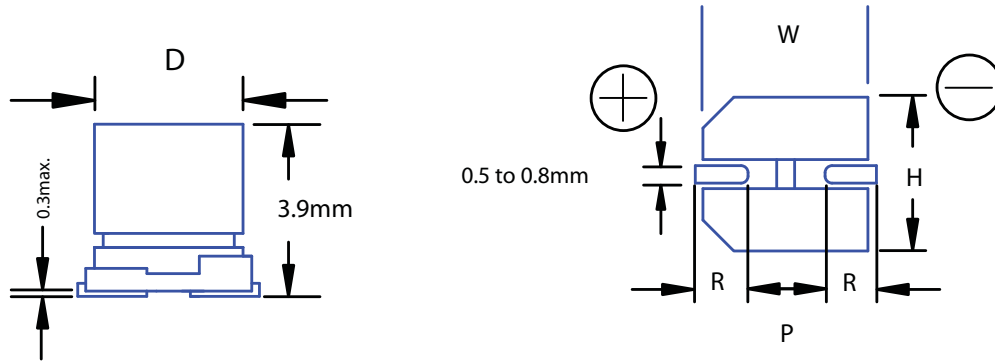
Performance Characteristics									
Operating Temperature Range	-40°C ~ +85°C.								
Voltage Range	4.0VDC ~ 50VDC.								
Capacitance Range	1.0μF ~ 180μF.								
Capacitance Tolerance	±20%.								
Maximum Dissipation Factor (20°C, 120Hz)	Rated Voltage (WVDC)	4.0	6.3	10	16	25	35	50	
	DF%	40	35	24	20	16	14	12	
Maximum Leakage Current (20°C) (after 2 minutes)	0.01CV or 3μA, whichever is greater.								
Load Life Test (85°C, 1000 hours)	Capacitance Change	Within ±25% of initial measured value.							
	DF%	Less than 200% of specified value.							
	Leakage Current	Within maximum specified value.							

STANDARD PRODUCT TABLE (dØ X L(mm))

Cap. (μF)	WVDC						
	4.0	6.3	10	16	25	35	50
1.0							5 x 3.9
2.2							5 x 3.9
3.3							5 x 3.9
4.7					5 x 3.9	5 x 3.9	5 x 3.9
10				5 x 3.9	5 x 3.9	5 x 3.9	6.3 x 3.9
22		5 x 3.9	5 x 3.9	6.3 x 3.9	6.3 x 3.9	6.3 x 3.9	
33	5 x 3.9	5 x 3.9	6.3 x 3.9	6.3 x 3.9	6.3 x 3.9		
47	5 x 3.9	6.3 x 3.9	6.3 x 3.9	6.3 x 3.9			
68	6.3 x 3.9	6.3 x 3.9					
100	6.3 x 3.9	6.3 x 3.9					
180	6.3 x 3.9						

MAXIMUM RIPPLE (mA rms @ 120Hz & 85°C)

Cap. (μF)	WVDC						
	4.0	6.3	10	16	25	35	50
1.0							8.4
2.2							14
3.3							17
4.7					18	18	21
10				25	30	29	33
22		33	35	45	50	49	
33	33	40	50	50	60		
47	40	60	55	60			
68	60	70					
100	70	75					
180	85						



DIMENSIONS (mm)

$D \pm 0.5$	$W \pm 0.2$	$H \pm 0.2$	R	$P \pm 0.2$
5.0	5.3	5.3	2.1 ~ 2.5	1.4
6.3	6.6	6.6	2.35 ~ 2.75	2.2